

1

## L101H

High Powered LED Array Beacon  
24 x High Powered LEDs  
Two modes : Steady , Flashing 1 Hz  
IP Rating: IP65  
Temp: -25°C to +50°C  
Unit weight: 200g  
CE

Order code	Voltage
L101HDC[b][x]/[y]	10-30 VDC
L101HDC48[b][x]/[y]	48 VDC
L101HAC[b][x]/[y]	90-260 VAC

Dimensions : 86,0 x 86,0mm  
1,5mm<sup>2</sup> terminals  
Cable entry: M20 cable entry ( IP65)  
Dependant on Back Box selected

[b] = Back Box Type  
Omit = L101 type    M = Multi-purpose type  
A = A100 type      S = Sonora type

[y] = LED colour  
R = Red                    A = Amber  
B = Blue                 W = White  
G = Green

[x] = Housing colour  
G = Grey    R = Red    W = White

3

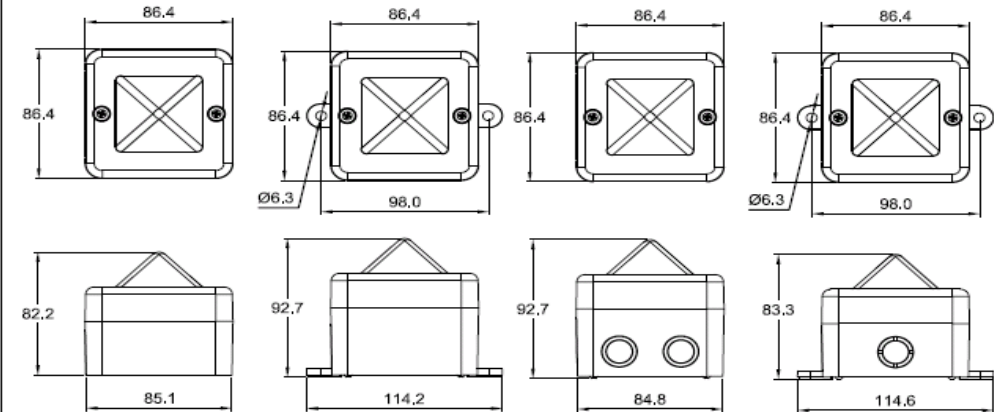
### Back Box Type

L101




Multi-purpose

Sonora

A100



2

-  **ATTENTION:** Installation must be carried out by an electrician in compliance with the latest codes and regulations.
-  **ATTENTION:** Disconnect from power source before installation or service to prevent electric shock.
-  **ATTENTION:** Lens on unit will be hot allow to cool prior to removal.



**Lebensgefahr durch elektrischen Strom!** Dieses Gerät darf nur durch autorisierte Elektrofachkräfte und elektrotechnisch unterwiesene Personen montiert und angeschlossen werden.  
**Electric current! Danger to life!** Only authorized or instructed persons may assemble and install this device.  
**Tension électrique dangereuse!** Seuls les personnes averties sont autorisées d'assembler et d'installer ces produits.

