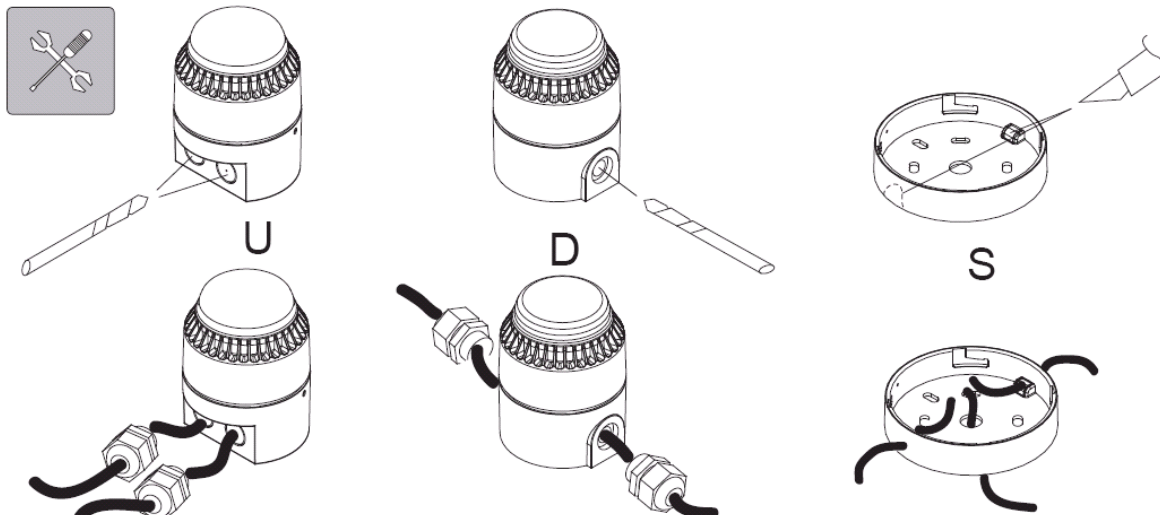


Installation/Anschluss Installation/Raccordement Installation/Connection

SOL

Installationsanleitung_SOL_REV0_26_02_2013pdf

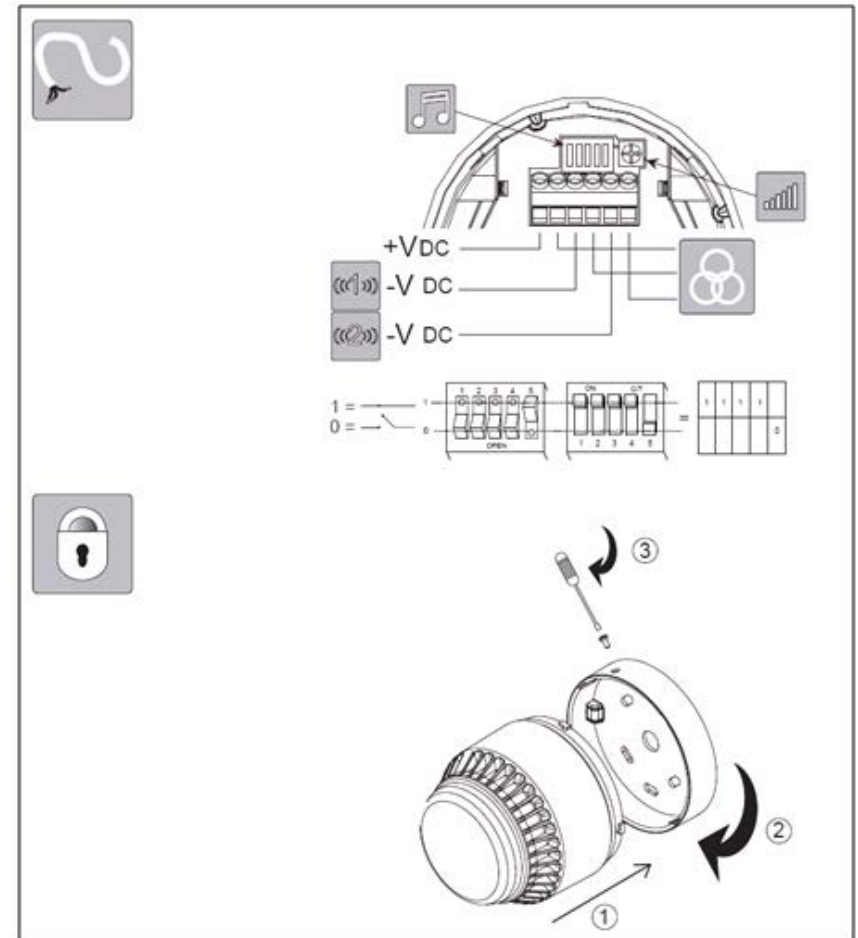


	EN54-3	
	24V _{nom} (18 - 28VDC)	9 - 28VDC
	36 mA max	
	0.28mm ² - 2.5mm ²	
	Type A - 10 °C - +55 °C	
	ABS V0	
	Type A = IP21C	
	6	32

SOL



Roshni LP Solista (ROLPL) : 0832-CPD-0132 (18-28V)
 EN54-3 Fire Alarm Device - Sounder
 Dispositif d'alarme incendie EN54-3 - Avertisseur d'incendie
 EN54-3 Feueralarmgerät - Töner
 Dispositivo di allarme antincendio a norma EN54-3 - Sirena
 EN54-3 Brandalarm - sounder
 Dispositivo de alarma de incendios EN54-3 - Timbre de alarma
 EN54-3 Brandvarnare - Signalgivare



Lebensgefahr durch elektrischen Strom! Dieses Gerät darf nur durch autorisierte Elektrofachkräfte und elektrotechnisch unterwiesene Personen montiert und angeschlossen werden.
Electric current! Danger to life! Only authorized or instructed persons may assemble and install this device.
Tension électrique dangereuse! Seuls les personnes averties sont autorisées d'assembler et d'installer ces produits.

1	2	12345	Pattern	Frequency Hz	Rate	Depiction	Main Application	Roshni LP (ROLP)					
								*12Vdc on axis @1M	EN54-3 15Vdc see notes	*24Vdc on axis @1M	EN54-3 28Vdc see notes		
								mA	dB(A)	dB(A)	mA	dB(A)	dB(A)
1	14	11111	Alternating	800 & 970	2Hz (250ms-250ms)		BS Fire	6	95	*	13	101	*
2	14	11110	Sweep	800 to 970	7Hz (7/s)		BS Fire	8	94	*	12	100	*
3	14	11101	Sweep	800 to 970	1Hz (1/s)		BS Fire	6	95	92	12	102	95
4	14	11100	Continuous	2850	Steady		General Purpose	16	99	*	32	105	*
5	4	11011	Sweep	2400 to 2850	7Hz		General Purpose	16	103	*	32	109	*
6	4	11010	Sweep	2400 to 2850	1Hz		General Purpose	16	105	*	32	112	*
7	14	11001	Slow whoop	500 to 1200	3s sweep, 0.5 s silence, then repeat		Dutch fire (NEN 2575)	6	97	93	12	103	97
8	14	11000	Sweep (DIN)	1200 to 500	1Hz		German fire (DIN 33 404)	7	96	93	15	103	94
9	4	10111	Alternating	2400 & 2850	2Hz (250ms-250ms)		General Purpose	15	99	*	31	105	*
10	14	10110	Intermittent	970	0.5Hz (1s On/1s Off)		PFEER alert	5	95	*	8	101	*
11	14	10101	Alternating	800 & 970	1Hz (500ms-500ms)		BS Fire	6	95	*	12	101	*
12	4	10100	Intermittent	2850	0.5Hz (1s On/1s Off)		General Purpose	9	99	*	17	105	*
13	14	10011	Intermittent	970	0.8Hz (250ms On/1s Off)		General Purpose	3	94	*	5	101	*
14	14	10010	Continuous	970	Steady		PFEER toxic gas	7	95	93	14	101	95
15	14	10001	Alternating	554 & 440	100ms-400ms		French fire (NFS 32-001)	8	96	*	17	102	*
16	16	10000	Intermittent	660	3.3Hz (150ms On/150msOff)		Swedish (Air Raid)	4	94	*	6	100	*
17	17	01111	Intermittent	660	0.28Hz(1.8s On/1.8s Off)		Swedish (Local warning)	4	95	*	7	101	*
18	18	01110	Intermittent	660	0.05Hz (13s Off / 6.5Hz On)		Swedish (Pre-mess)	3	95	*	6	101	*
19	19	01101	Continuous	660	Steady		Swedish (All clear)	5	95	*	10	101	*
20	20	01100	Alternating	554 & 440	0.5Hz (1s On/1s Off)		Swedish (Turn out)	7	96	*	16	102	*
21	21	01011	Intermittent	660	1Hz (500ms-500ms)		Swedish general purpose	4	94	*	6	101	*
22	14	01010	Intermittent	2850	4Hz (150ms On/100ms Off)		Pelican crossing	12	98	*	27	104	*
23	14	01001	Sweep	800 to 970	50Hz		BS Fire	6	93	*	12	100	*
24	4	01000	Sweep	2400 to 2850	50Hz		General Purpose	15	102	*	32	108	*
25	25	00111	Intermittent	970	3 x 500ms pulses, 1.5s silence, then repeat		ISO 8201	4	95	*	7	101	*
26	26	00110	Intermittent (*)	800 to 970	3 x 500ms pulsed sweep, 1.5s silence, then repeat		ISO 8201	4	95	*	6	102	*
27	27	00101	Intermittent (*)	970 & 800	3 x 500ms pulsed sweep, 1.5s silence, then repeat		ISO 8201	3	94	*	6	101	*
28	10	00100	Alternating	800 & 970	2Hz (250ms-250ms)		BS Fire	6	95	*	12	101	*
29	988Hz	00011	Alternating	990 & 650	2Hz (250ms-250ms) (Symphoni tones)		BS Fire	10	99	93	20	105	96
30	510Hz	00010	Alternating	510 & 610	2Hz (250ms-250ms) (Squashni Micro tones)		BS Fire	8	94	91	16	100	92
31	14	00001	Sweep	300 to 1200	1Hz		General Purpose	10	98	*	14	103	*
32	510Hz	00000	Alternating	510 & 610	1Hz (500mS-500mS)		BS Fire	8	95	*	16	100	*