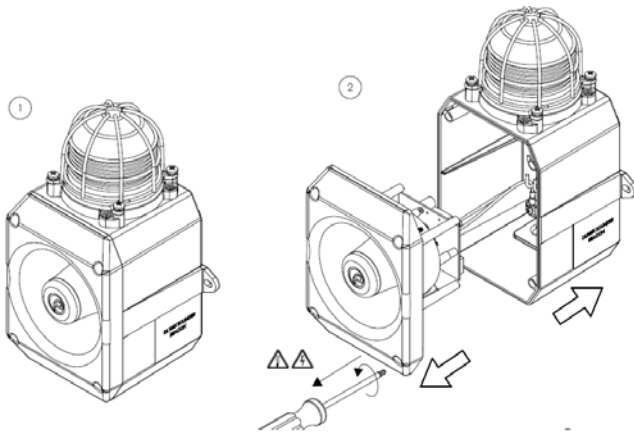


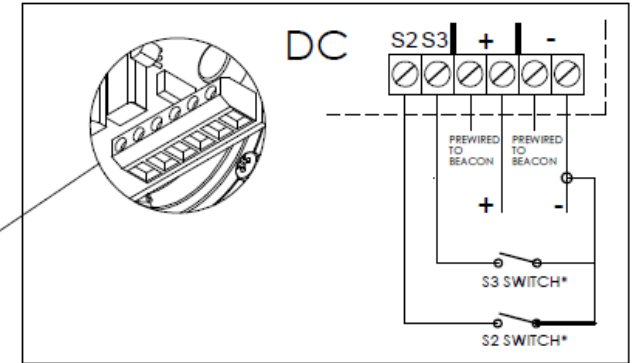
Installation/Anschluss
 Installation/Raccordement
 Installation/Connection

DL105X

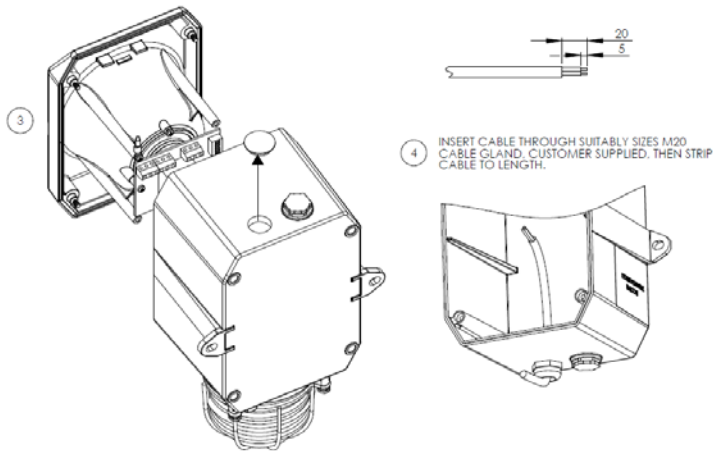
Installationsanleitung_DL105X.pdf 14.10.2013



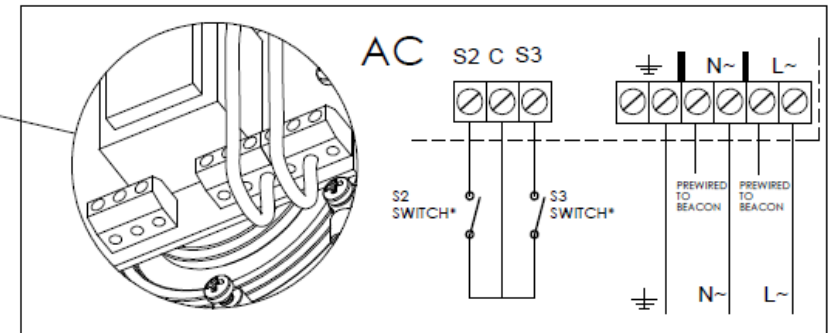
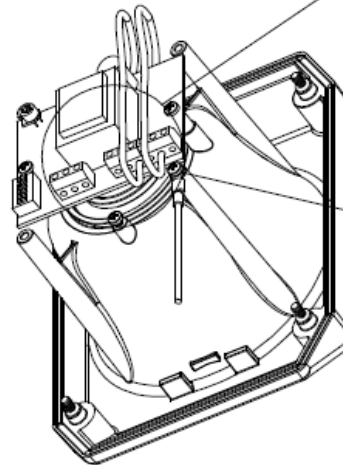
TERMINAL BLOCK	A/C INPUT	D/C INPUT
	⊕	
N/-	N~	-
L/+	L~	+
S2	SWITCH TO C	SWITCH TO -
S3	SWITCH TO C	SWITCH TO -



5 CONNECT CABLE AS SHOWN



Dimensions in mm



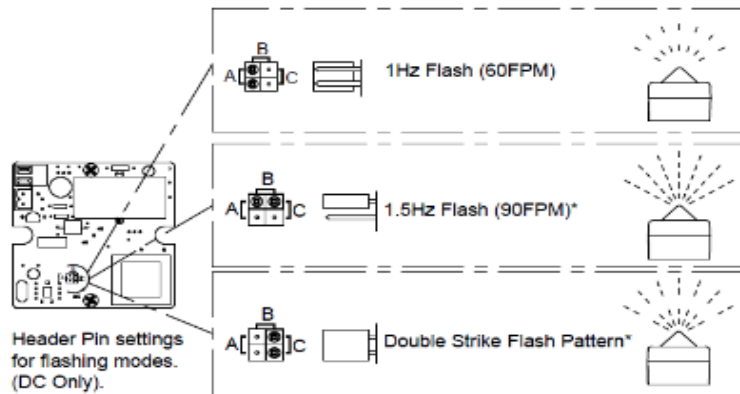
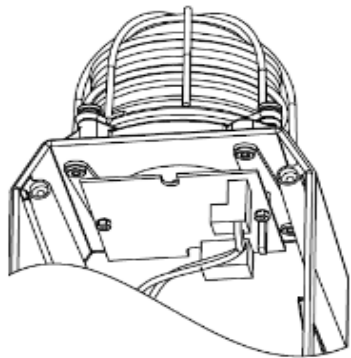
*S2 & S3 Denote Stage 2 & Stage 3 respectively
 Stage switches are customer supplied



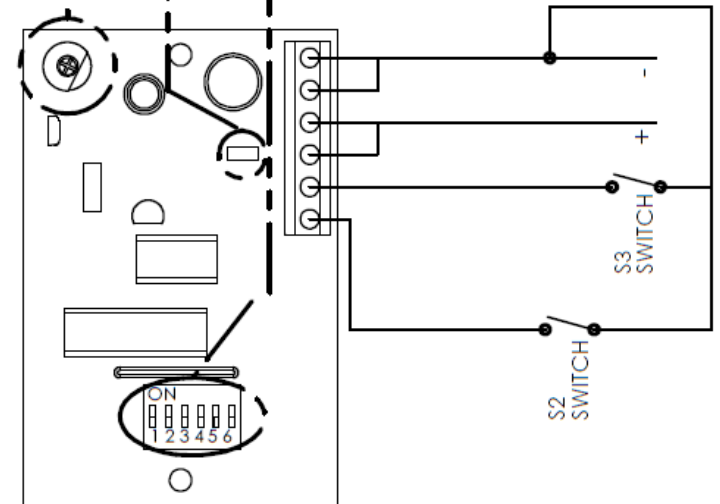
Lebensgefahr durch elektrischen Strom! Dieses Gerät darf nur durch autorisierte Elektrofachkräfte und elektrotechnisch unterwiesene Personen montiert und angeschlossen werden.
Electric current! Danger to life! Only authorized or instructed persons may assemble and install this device.
Tension électrique dangereuse! Seuls les personnes averties sont autorisées d'assembler et d'installer ces produits.

Table 1 - Tone Selection

STAGE 1	FREQUENCY DESCRIPTION	dB(A)@1m		Switch	Stage 2	Stage 3
TONE 1	340 Hz Continuous	102			TONE 2	TONE 5
TONE 2	800/1000Hz @ 0.25 sec Alternating	106			TONE 17	TONE 5
TONE 3	500/1200Hz @ 0.3Hz 0.5 sec Slow Whoop	106			TONE 2	TONE 5
TONE 4	800/1000Hz @ 1Hz Sw eeping	106			TONE 6	TONE 5
TONE 5	2400Hz Continuous	112			TONE 3	TONE 20
TONE 6	2400/2900Hz @ 7Hz Sw eeping	108			TONE 7	TONE 5
TONE 7	2400/2900Hz @ 1Hz Sw eeping	108			TONE 10	TONE 5
TONE 8	500/1200/500Hz @ 0.3Hz Sw eeping	106			TONE 2	TONE 5
TONE 9	1200/500Hz @ 1Hz - DIN / PFEER P.T.A.P.	106			TONE 15	TONE 2
TONE 10	2400/2900Hz @ 2Hz Alternating	110			TONE 7	TONE 5
TONE 11	1000Hz @ 1Hz Intermittent	106			TONE 2	TONE 5
TONE 12	800/1000Hz @ 0.875Hz Alternating	106			TONE 4	TONE 5
TONE 13	2400Hz @ 1Hz Intermittent	112			TONE 15	TONE 5
TONE 14	800Hz 0.25sec on, 1 sec off Intermittent	108			TONE 15	TONE 5
TONE 15	800Hz Continuous	108			TONE 2	TONE 5
TONE 16	660Hz 150mS on, 150mS off Intermittent	104			TONE 18	TONE 5
TONE 17	544Hz (100mS)/440Hz (400mS) - NF S 32-001	104			TONE 2	TONE 27
TONE 18	660Hz 1.8sec on, 1.8sec off Intermittent	104			TONE 2	TONE 5
TONE 19	1.4KHz-1.6KHz 1s, 1.6KHz-1.4KHz 0.5s -NFC48-265	106			TONE 2	TONE 5
TONE 20	660Hz Continuous	104			TONE 2	TONE 5
TONE 21	554Hz/440Hz @ 1Hz Alternating	104			TONE 2	TONE 5
TONE 22	544Hz @ 0.875 sec. Intermittent	104			TONE 2	TONE 5
TONE 23	800Hz @ 2Hz Intermittent	108			TONE 6	TONE 5
TONE 24	800/1000Hz @ 50Hz Sw eeping	108			TONE 29	TONE 5
TONE 25	2400/2900Hz @ 50Hz Sw eeping	108			TONE 29	TONE 5
TONE 26	Bell	100			TONE 2	TONE 15
TONE 27	554Hz Continuous	104			TONE 26	TONE 5
TONE 28	440Hz Continuous	103			TONE 2	TONE 5
TONE 29	800/1000Hz @ 7Hz Sw eeping	105			TONE 7	TONE 5
TONE 30	300Hz Continuous	100			TONE 2	TONE 5
TONE 31	660/1200Hz @ 1Hz Sw eeping	105			TONE 26	TONE 5
TONE 32	Two tone chime.	103			TONE 26	TONE 15



DC CIRCUIT



AC CIRCUIT

