



800 Series Alarm

Designed to meet all the harsh operational requirements of any fleets equipment, ECCO's 800 Series alarms feature ECCO's unique reverse-mounted speaker design with unrivaled durability. These alarms are so robust that an ECCOLIFE™ warranty covering the alarm for the life of the vehicle is offered on all models. Smart Alarm® models measure ambient noise and adjust their sound level, creating a volume that is safe without being annoying or contributing to noise pollution. Smart Alarms eliminate the need for constant manual adjustment.

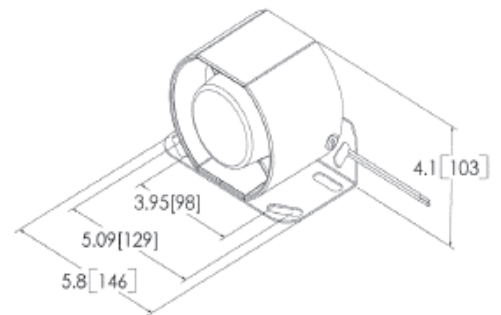
Models

PART NO.	VOLTAGE	dB(A)	AMPS
810-001	12/36V	97	0.5A
830-001	12-36V	107	1.3A
850-001	12-36V	112	1.7A
917-001	12/24V	87-112	0.4A



Features and Benefits

- Rugged construction for demanding applications
- Sealed in epoxy for protection against dust, moisture and vibration
- Reverse mounted speaker enhances sound and protects the alarm from dust and moisture ingress
- Temperature Range: -40°C to +85°C
- ECCOLIFE™ Warranty



Alarm Specifications

Connection: 16 AWG wires
 Recommended mounting bolt: 5/16" Grade 5 or better, 6/8" Grade 5 or better may be used on bottom mounts
 Recommended washer: 5/16" Type A, Series N, 3/8" Type A, Series N if using 3/8" bolts