



## Multi-Frequency Series

The Multi-Frequency back-up alarm provides a solution to potential noise pollution created by back-up alarms in confined or densely populated work areas. The Multi-Frequency alarm maintains a safe warning signal for those in the danger zone of reversing vehicles while minimizing disturbance to work site neighbours. The Multi-Frequency alarm operates by emitting sound at multiple frequencies attenuated above 4000Hz so that the sound is perceived to dissipate more quickly than a conventional pure-tone alarm. In addition, driver technology used in the EA7020 and EA7070 models extends the life expectancy of the alarm, so much so, that a vehicle life warranty is offered.

### Models

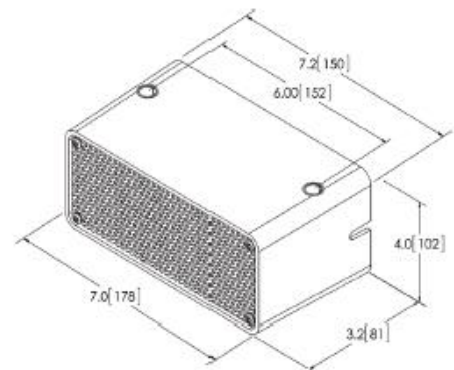
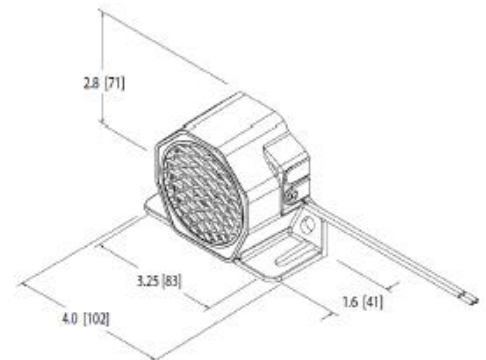
PART NO.	VOLTAGE	dB(A)	AMPS	APPROVALS	CONNECTION
EA5820	12-24	82	0.33	SAE J994, ECE R10, AMECA	2x16 AWG Lead Wire
EA5050	12-24	87	0.34	SAE J994, ECE R10, AMECA	2x16 AWG Lead Wire
EA5920	12-24	92	0.90	SAE J994, ECE R10, AMECA	2x16 AWG Lead Wire
EA5200	12-24	97	1.0	SAE J994, ECE R10, AMECA	2x16 AWG Lead Wire
EA7020	12-24	102	0.6	SAE J994, ECE R10, AMECA	2x16 AWG Lead Wire
EA7070	12-24	107	0.8	SAE J994, ECE R10, AMECA	2x16 AWG Lead Wire

Recommended mounting bolt:

1/4" Grade 5 (EA5050 & EA5200), 3/8" Grade 5 (EA7020 & EA7070)

Recommended washer:

1/4" Type A, Series A or W (EA5050 & EA5200), 3/8" Type A, Series N or W (EA7020 & EA7070)



### Features and Benefits

- Universal mounting bracket maximizes location options
- Lead wire
- Sealed in epoxy for protection against dust, moisture, and vibration
- Temperature Range: -40°C to +85°C