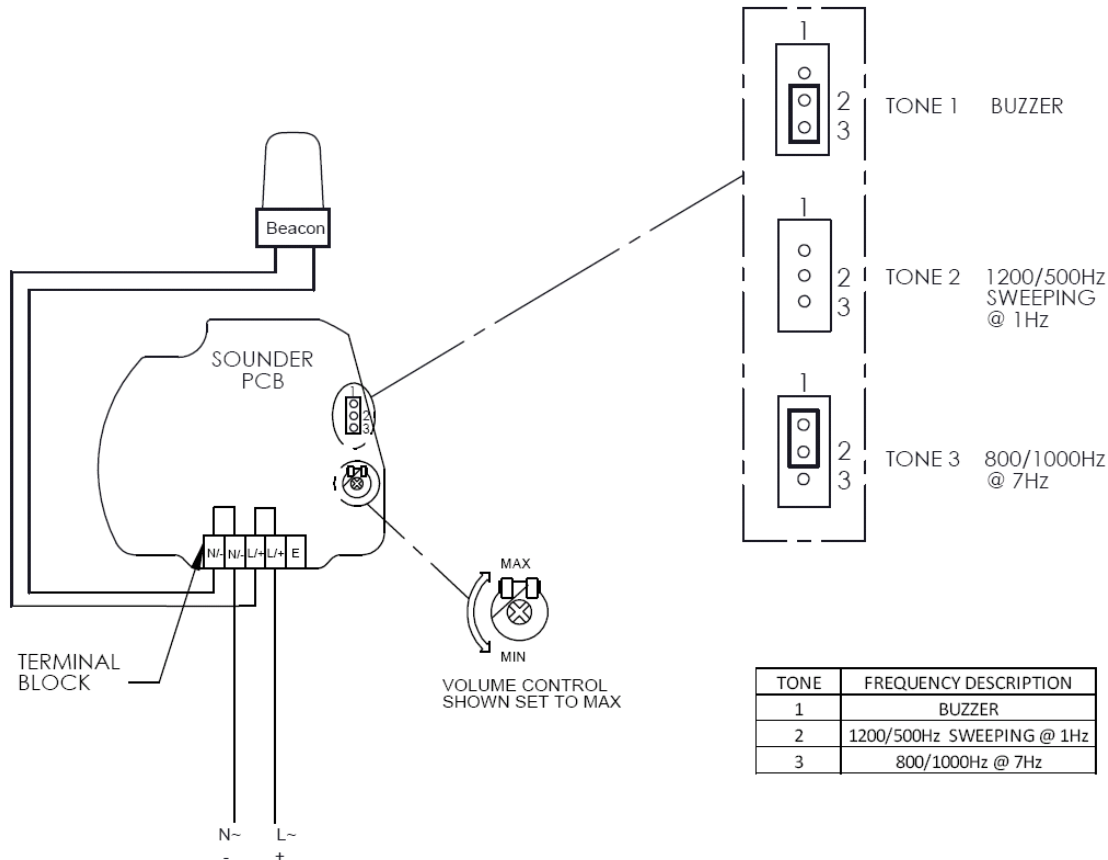


Installation/Anschluss  
 Installation/Raccordement  
 Installation/Connection

# H100BX

Installationsanleitung\_H100BX\_REV0\_26\_02\_2013.pdf



Dimensions : 94.2 x 135.2mm  
 1.5mm<sup>2</sup> terminals  
 Cable entry: 1 x 5-7mm push through grommet

x = Lens colour  
 R = Red A = Amber  
 B = Blue C = Clear  
 G = Green Y = Yellow

Buzzer Horn Strobe  
 IP Rating: IP65  
 Temp: -25 °C to +50 °C  
 Unit weight: 188g  
 CE

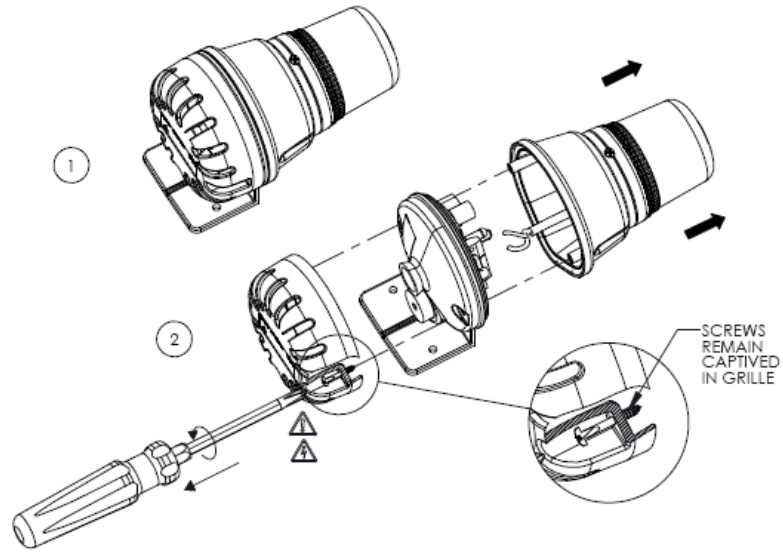
- 24V dc 10mA
- 24V ac 50Hz 24mA
- Beacon Current Consumption
- 24V dc 135mA
- 24V ac 50Hz 75mA

- 115V ac 50/60Hz 19mA
- Beacon Current Consumption
- 115V ac 50/60Hz 30mA
- 

- 230V ac 50/60Hz 10mA
- Beacon Current Consumption
- 230V ac 50/60Hz 20mA

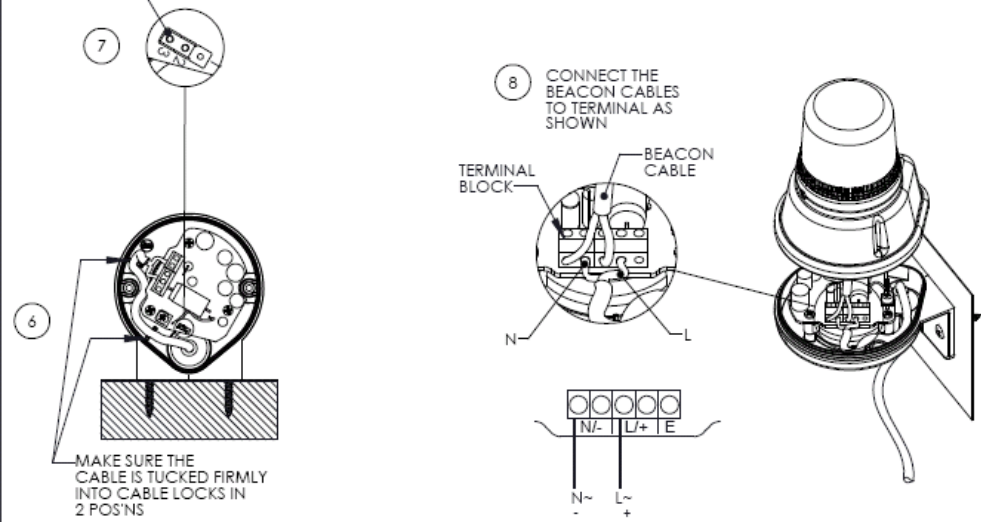
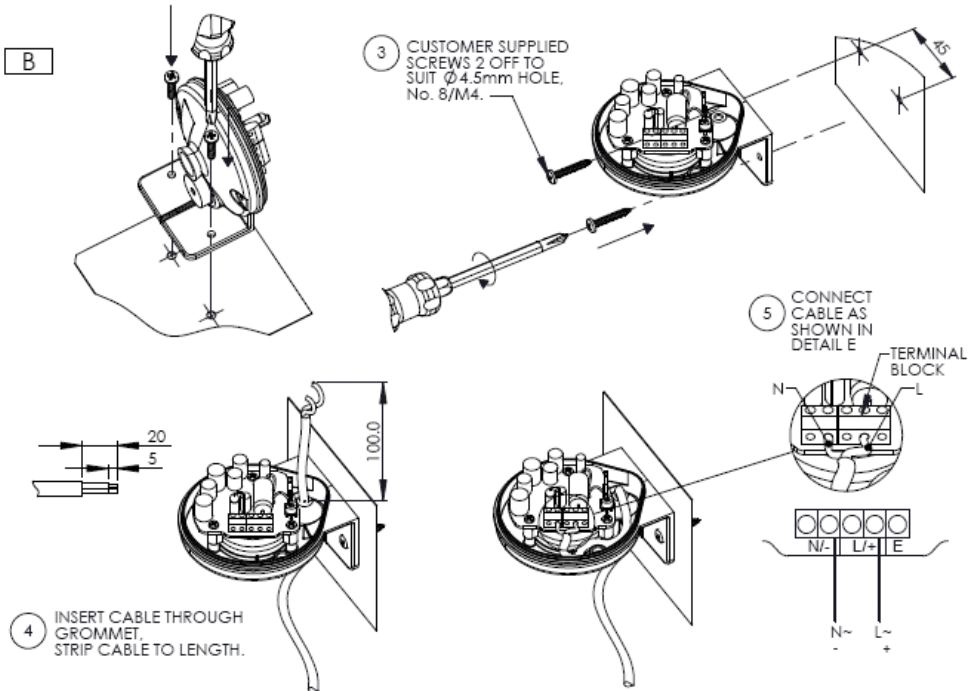


**Lebensgefahr durch elektrischen Strom!** Dieses Gerät darf nur durch autorisierte Elektrofachkräfte und elektrotechnisch unterwiesene Personen montiert und angeschlossen werden.  
**Electric current! Danger to life!** Only authorized or instructed persons may assemble and install this device.  
**Tension électrique dangereuse!** Seuls les personnes averties sont autorisées d'assembler et d'installer ces produits.

**A****H 100 BX****C**

PLACE THE HEADER PIN TO REQUIRED TONE  
SEE SHEET 1, FOR DETAIL.

TERMINAL BLOCK	A/C INPUT	D/C INPUT
N/-	N~	-
N/+	N~(FROM BEACON)	-(FROM BEACON)
L/+	L~	+
L/+	L~(FROM BEACON)	+(FROM BEACON)
E		

**B****D**