

Electronic Sounder with rotating Beacon AB105R

Comax
Signaltechnik



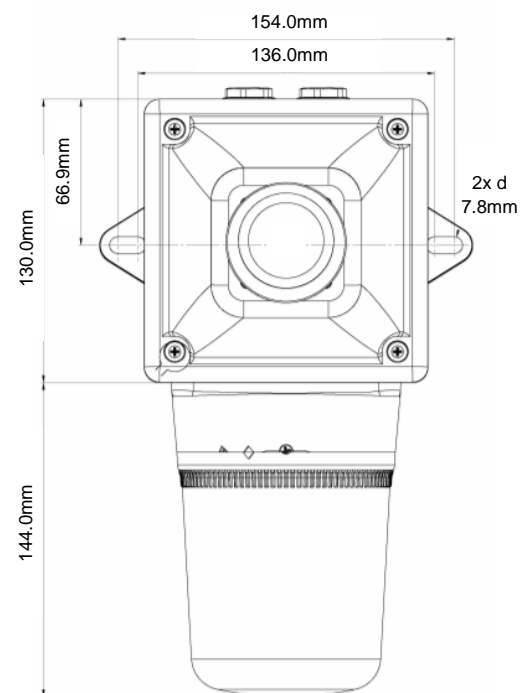
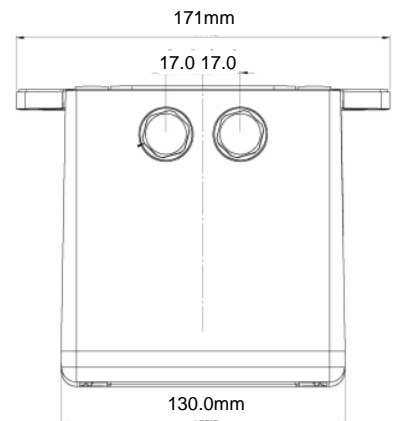
General Information

Universal electronic sounder with halogen rotating lamp. 64 different alarm tones and volume adjustable on the circuit board. 4 tones controllable. Audible distance up to 60m. Automatic synchronisation of several units. Rotating lamp in different dome colours. Polarized diode for applications in supervised circuits. Degree of protection IP66.

Option: UL approval

Technical data

Sound output level	106 dB(A)
Tones	Choice of 64 tones (see tone table)
Audible distance	approx. 60m @ 1kHz
Tone stages	4 stages controllable
Synchronisation	Automatic synchronisation
Operation	Continuous operation
Rotating light	Halogen 25W 125cd approx.180u/min
Housing	ABS shock resistant
-colour	red RAL 3000
Mounting	2 mounting lugs
Degree of protection	IP66 acc. EN60529
Temperature	-40°C to + 66°C
Cable entry	2x M20x1.5 with stopping plugs
Connection	Terminals 0.5 – 2.5mm ²
Weight	DC: 1.000kg AC: 1.250kg
Options	UL-Approval



Order data

Item number	Rated voltage	Sound level output	Current consumption Rotating light / Sounder
AB105R.012.2	10-15VDC	approx. 106dB(A),1m	1720mA / 17mA
AB105R.024.2	18-30VDC	approx. 106dB(A),1m	910mA / 33.5mA
AB105R.115.7	115VAC/DC50/60Hz +/-10%	approx. 106dB(A),1m	216mA / 25mA
AB105R.230.7	230VAC/DC50/60Hz +/-10%	approx. 106dB(A),1m	117mA / 17mA

*Lens colours 1=red 2=amber, 3=yellow, 4=green, 5=blue, 7=clear

Subject to change without prior notice



Comax
Signaltechnik

Comax Industrielle Signaltechnik AG, Thalstrasse 279, CH-4712 Laupersdorf/Schweiz
Tel +41-(0)32-617 31 41 E-mail mail@comax.ch Internet www.comax.ch