

# Electronic Sounder with LED multifunction beacon AB105L

**Comax**  
Signaltechnik



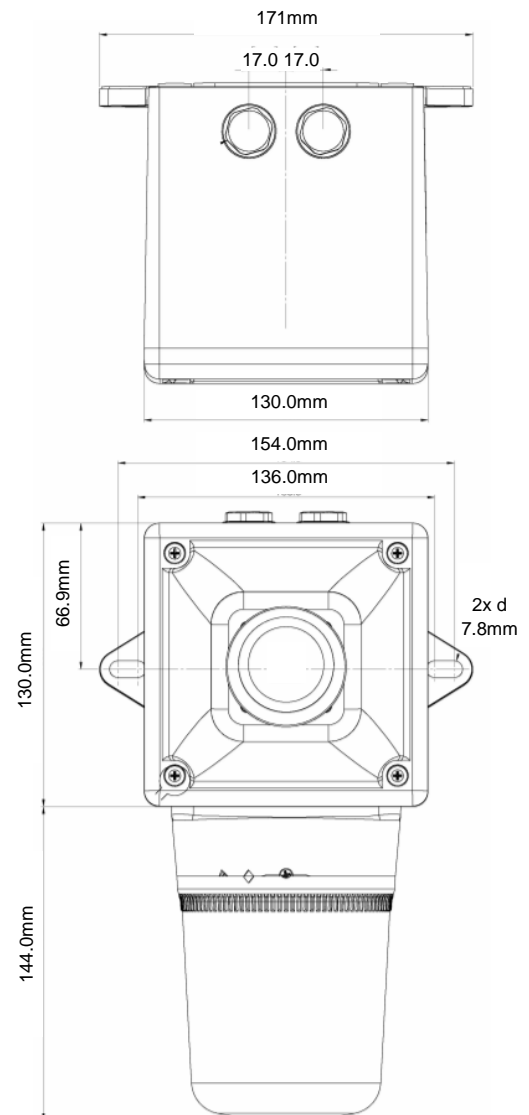
## General Information

Universal electronic sounder with LED multifunction light. 64 different alarm tones and volume adjustable on the circuit board. 4 tones controllable. Audible distance up to 60m. Automatic synchronisation of several devices. Multifunction LED light in different lens colours. Polarized diode for applications in supervised circuits. Degree of protection IP66.

Option: UL approval

## Technical data

|                      |  |
|----------------------|--|
| Sound output level   | 106 dB(A)  |
| Tones                | Choice of 64 tones (see tone table)              |
| Audible distance     | approx. 60m @ 1kHz                               |
| Tone stages          | 4 stages controllable                            |
| Synchronisation      | Automatic synchronisation                        |
| Operation            | Continuous operation                             |
| Light functions      | Steady-, 4 rotating- and 4 flashing- light modes |
| Housing              | ABS shock resistant                              |
| -colour              | red RAL 3000                                     |
| Mounting             | 2 mounting lugs                                  |
| Degree of protection | IP66 acc. EN60529                                |
| Temperature          | -40°C to + 66°C                                  |
| Cable entry          | 2x M20x1.5 with stopping plugs                   |
| Connection           | Terminals 0.5 – 2.5mm <sup>2</sup>               |
| Weight               | DC: 1.000kg AC: 1.250kg                          |
| Options              | UL-Approval                                      |



## Order data

| Item number   | Rated voltage           | Sound level output  | Current consumption<br>LED-light / Sounder                                 |
|---------------|-------------------------|---------------------|--|
| AB105L.024.2* | 10-50VDC                | approx. 106dB(A),1m | 250mA / 17mA at 12VDC<br>250mA / 33.5mA at 24VDC<br>250mA / 113mA at 48VDC |
| AB105L.230.7* | 90-253VAC/DC<br>50/60Hz | approx. 106dB(A),1m | 90mA / 25mA at 115VAC<br>50mA / 17mA at 230VAC                             |

\*Lens colours 1=red 2=amber, 3=yellow, 4=green, 5=blue, 7=clear

Subject to change without prior notice



**Comax**  
Signaltechnik

Comax Industrielle Signaltechnik AG, Thalstrasse 279, CH-4712 Laupersdorf/Schweiz  
Tel +41-(0)32-617 31 41 E-mail mail@comax.ch Internet www.comax.ch