

Electronic Sounder with LED multifunction beacon AB112L

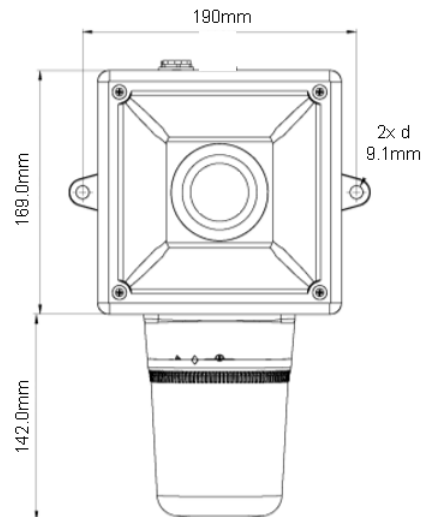
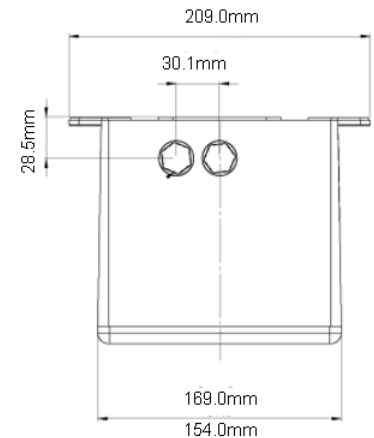
Comax
Signaltechnik



General Information

Universal electronic sounder with LED multifunction light. 64 different alarm tones and volume adjustable on the circuit board. 4 tones controllable. Audible distance up to 150m. Automatic synchronisation of several devices. Multifunction LED light in different lens colours. Polarized diode for applications in supervised circuits. Degree of protection IP66.

Option: UL approval



Technical data

Sound output level	112 dB(A)
Tones	Choice of 64 tones (see tone table)
Audible distance	approx. 150m @ 1kHz
Tone stages	4 stages controllable
Synchronisation	Automatic synchronisation
Operation	Continuous operation
Light functions	Steady-, 4 rotating- and 4 flashing- light modes
Housing	ABS shock resistant
-colour	red RAL 3000
Mounting	2 mounting lugs
Degree of protection	IP66 acc. EN60529
Temperature	-40°C to + 66°C
Cable entry	2x M20x1.5 with stopping plugs
Connection	Terminals 0.5 – 2.5mm ²
Weight	DC: 2.000kg AC: 1.250kg
Options	UL-Approval

Order data

Item number	Rated voltage	Sound level output	Current consumption LED-light / Sounder
AB112L.024.2*	10-50VDC	approx. 112dB(A),1m	250mA / 280mA at 12VDC 250mA / 225mA at 24VDC 250mA / 122mA at 48VDC
AB112L.230.7*	90-253VAC/DC 50/60Hz	approx. 112dB(A),1m	90mA / 100mA at 115VAC 50mA / 65mA at 230VAC

*Lens colours 1=red 2=amber, 3=yellow, 4=green, 5=blue, 7=clear

Subject to change without prior notice



Comax
Signaltechnik

Comax Industrielle Signaltechnik AG, Thalstrasse 279, CH-4712 Laupersdorf/Schweiz
Tel +41-(0)32-617 31 41 E-mail mail@comax.ch Internet www.comax.ch