

Electronic Sounder with Xenon-Strobe Light AB121S

Comax
Signaltechnik



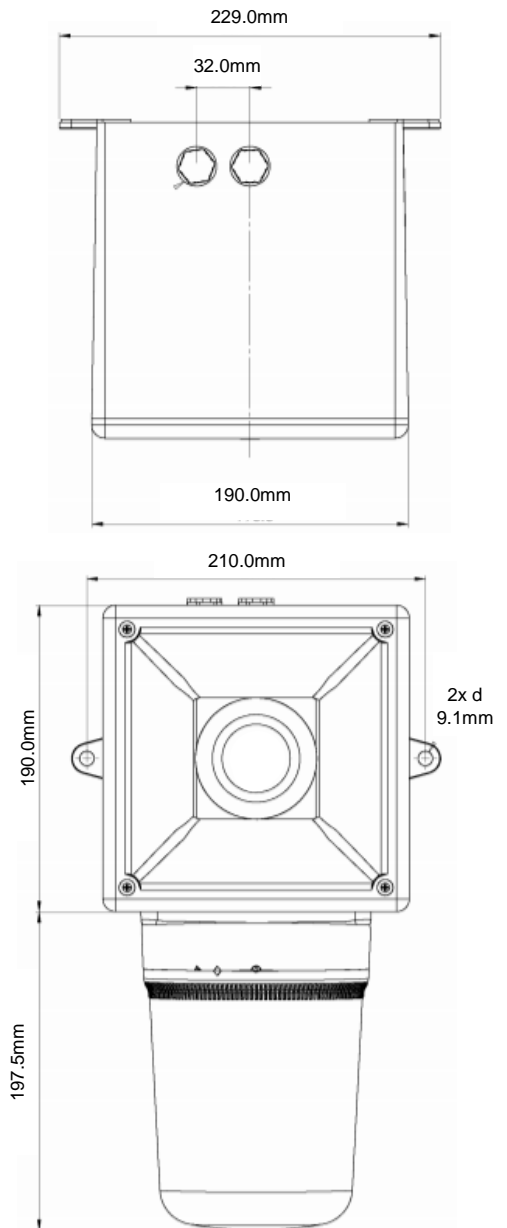
General Information

Universal electronic sounder with xenon flashing light. 64 different alarm tones and volume adjustable on the circuit board. 4 tones controllable. Audible distance up to 225m. Automatic synchronisation of several units. Flashing light in different dome colours. Polarized diode for applications in supervised circuits. Degree of protection IP66.

Option: UL approval

Technical data

Sound output level	118 dB(A)
Tones	Choice of 64 tones (see tone table)
Audible distance	approx. 225m @ 1kHz
Tone stages	4 stages controllable
Synchronisation	Automatic synchronisation
Operation	Continuous operation
Flash intensity	15 Joule (approx. 500cd / clear lens)
Flash frequency	1Hz (DC devices 1.5Hz and double flash)
Housing	ABS shock resistant
-colour	red RAL 3000
Mounting	2 mounting lugs
Degree of protection	IP65 acc. EN60529
Temperature	-40°C to + 66°C
Cable entry	2x M20x1.5 with stopping plugs
Connection	Terminals 0.5 – 2.5mm ²
Weight	DC: 2.300kg AC: 2.900kg
Options	UL-Approval



Order data

Item number	Rated voltage	Sound/light output level	Current consumption Flash light / Sounder
AB121S.024.2*	20-28VDC	approx. 118dB(A),1m / 15 Joule	870mA / 430mA
AB121S.048.2*	42-54VDC	approx. 118dB(A),1m / 15 Joule	480mA / 223mA
AB121S.115.7*	115VAC 50/60Hz	approx. 118dB(A),1m / 15 Joule	400mA / 173mA
AB121S.230.7*	230VAC 50/60Hz	approx. 118dB(A),1m / 15 Joule	225mA / 105mA

*Lens colours 1=red 2=amber, 3=yellow, 4=green, 5=blue, 7=clear

Subject to change without prior notice



Comax
Signaltechnik

Comax Industrielle Signaltechnik AG, Thalstrasse 279, CH-4712 Laupersdorf/Schweiz
Tel +41-(0)32-617 31 41 E-mail mail@comax.ch Internet www.comax.ch