

# Electronic Sounder with rotating Beacon AB121R

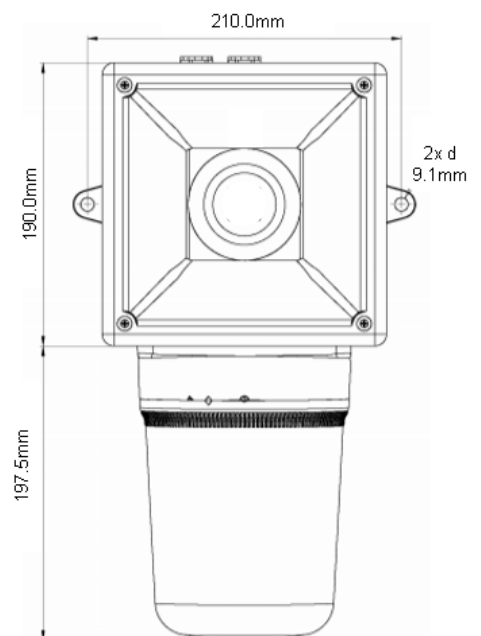
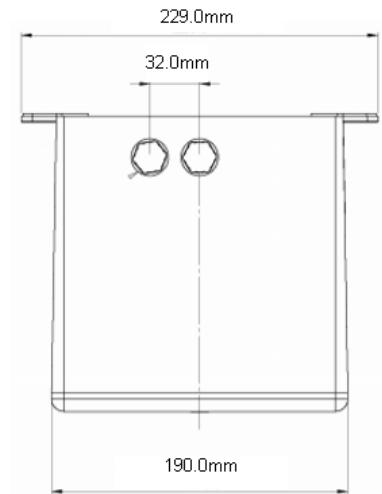
**Comax**  
Signaltechnik



## General Information

Universal electronic sounder with halogen rotating lamp. 64 different alarm tones and volume adjustable on the circuit board. 4 tones controllable. Audible distance up to 225m. Automatic synchronisation of several units. Rotating lamp in different dome colours. Polarized diode for applications in supervised circuits. Degree of protection IP66.

Option: UL approval



## Technical data

Sound output level	118 dB(A)
Tones	Choice of 64 tones (see tone table)
Audible distance	approx. 225m @ 1kHz
Tone stages	4 stages controllable
Synchronisation	Automatic synchronisation
Operation	Continuous operation
Rotating light	Halogen 35W (max. 40W) 325cd approx. 180u/min
Housing	ABS shock resistant
-colour	red RAL 3000
Mounting	2 mounting lugs
Degree of protection	IP65 acc. EN60529
Temperature	-40°C to + 66°C
Cable entry	2x M20x1.5 with stopping plugs
Connection	Terminals 0.5 – 2.5mm <sup>2</sup>
Weight	DC: 2.300kg AC: 2.900kg
Options	UL-Approval

## Order data

Item number	Rated voltage	Sound level output	Current consumption Rotating light / Sounder
AB121R.012.2	10-15VDC	approx. 118dB(A), 1m	3000mA / 376mA
AB121R.024.2	18-30VDC	approx. 118dB(A), 1m	1540mA / 430mA
AB121R.115.7	103.5-126.5VASC50/60Hz +/-10%	approx. 118dB(A), 1m	338mA / 173mA
AB121R.230.7	207-253VAC50/60Hz +/-10%	approx. 118dB(A), 1m	185mA / 105mA

\*Lens colours 1=red 2=amber, 3=yellow, 4=green, 5=blue, 7=clear

Subject to change without prior notice



**Comax**  
Signaltechnik

Comax Industrielle Signaltechnik AG, Thalstrasse 279, CH-4712 Laupersdorf/Schweiz  
Tel +41-(0)32-617 31 41 E-mail mail@comax.ch Internet www.comax.ch