

ResistTel IP4 weatherproof VoIP-telephone

IP telephone for indoor and outdoor use



Overview

With improved technology, the FHF ResistTel IP4 is a weatherproof VoIP telephone suitable for outdoor installation.

The ResistTel IP4 is the ideal device for use in rough environmental conditions found in various industrial areas and operational sites. Resistant to seawater, high humidity or extensive mechanical strain, it provides the highest level of safety and reliability.

The housing is made of impact and shock-resistant plastics. With the use of corrosion-free material, this telephone is made for longevity in mind with resistance to acids, alkalis and lubricants. Its robust design represents a perfect packaging for the latest requirements for VoIP telephones combined with proven reliability for critical mission communications and high safety applications.

This telephone is designed to provide ultimate user comfort with a user-friendly menu structure and easy installation. The ResistTel IP4 meets industrial standards and has decades of marketing leading expertise. It features a luminous display that's able to function in ultra low temperatures, a connectable headset is available as an accessory and a hands-free operation is available.

Features

- Protection class IP 66 according to IEC60529
- Ambient temperature -40 °C to +70 °C
- Ring tone ≥ 95 dB(A) in 1 m distance
- Pixel-based luminous OLED display
- V4A alphanumeric keypad
- User-friendly menu structure
- VoIP Protocols: SIP, H.323 (UDP, TCP, TLS), RTP, SRTP (SDES, DTLS), RTCP, ICE
- Power supply: PoE or external
- Connection to 10/100/1000-BASE-T Ethernet
- Relay built-in (SPST)
- Relay module (optional) 2x SPDT
- Hands-free operation

Comax Industrielle Signaltechnik AG Thalstrasse 279 CH-4712 Laupersdorf
Tel +41 (0)32 617 31 41 mail@comax.ch www.comax.ch



Powering Business Worldwide

FHF Funke + Huster Fernsig GmbH

© 2022 Eaton
All Rights Reserved
Printed in UK
Publication
No.DSFH0085/A
March 2022

Eaton is a registered trademark.

All other trademarks are property of their respective owners.

All specifications, dimensions, weights and tolerances are nominal (typical) and Eaton reserve the right to vary all data without prior notice. No liability is accepted for any consequence of use.

Technical feature

Power supply	Power over Ethernet according to IEEE 802.3af via 48 V DC PoE power supply (44V min, 57V max)	
Voltage external power supply	22,8 VDC - 53 VDC	
Power consumption	4 W (POE class 0)	
Connection	2x RJ45 Port (10/100 /1000 Mbit/s)(1x PoE)	
Ringing volume	Max. approx. 95 dB(A) in 1 m distance	
Housing		
Material	Glass fibre-reinforced polyester	
Height x width x depth	293 x 227 x 135 mm	
Weight (standard model)	Approx. 5,000 g	
Display	128 x 64 pixels (OLED)	
Operating position	vertical	
On Board Relay (standard)		
Switching voltage	AC	30 V
	DC	60 V
Switching current	AC	1.0 A
	DC	1.0 A
Switching capacity	AC	15 VA
	DC	15 W

Relay 1 and Relay 2 (optional)

Switching voltage (Vswitch)	AC	250 V
	DC	230 V
Switching current	AC	5,0 A
	DC	5,0 A
Switching capacity	AC	Vswitch ≥ 35V 15 VA
	AC	Vswitch < 35V 100 VA
	DC	Vswitch ≥ 50V 15 W
	DC	Vswitch < 50V 100W

Inputs 1-3 (optional)

Open circuit voltage	22.8VDC - 57.0 VDC
Short circuit current	< 10 mA (internally limited)

Handset

Mouthpiece	Electret microphone
Earpiece	Dynamic capsule with magnetic field generator for inductive coupling of hearing aids
Stabilization bracket	Standard equipment

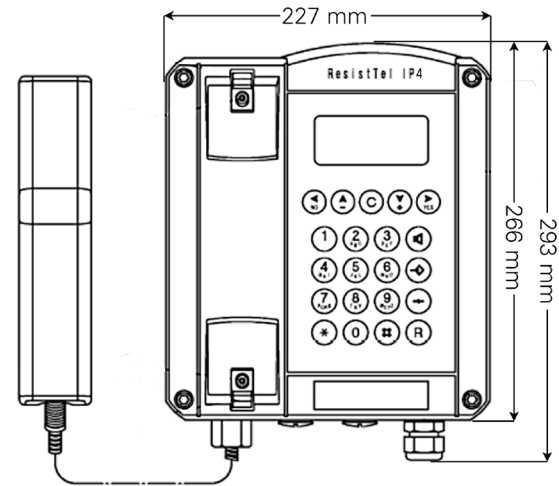
Environmental conditions

Ambient temperature	-40 °C to +70 °C
Transport and storage	-40 °C to +70 °C
Humidity	5 to 85% RH (Avoid icing and condensation)
Protection class	IP 66 according to IEC 60529
Impact resistance	IK 09 according to EN IEC 62262:2002

Characteristics

Protocols	VoIP Protocols: SIP, H.323 (UDP, TCP, TLS), RTP, SRTP (SDES, DTLS), RTCP, ICE
DTMF	In-Band, Out-Of-Band, Event
Additional VoIP features	H.245 fast connect enblock dialing overlapped sending
Security	Encoded password authentication according to H.235
Quality of service	Prioritization of IP packages over TOS and DiffServ, VLAN priority according to IEEE 802.1p/802.1q
Voice codecs	G.711 A-law/μ-law, G.729A, G.722, OPUS (NB/WB)
Administration	Access using https, Password-protected with secure authentication
Diagnostic tools	Log and trace files (pcap), status displays of interfaces and connections Ping connection test, sending of SNMP traps
Updates	Configuration recording/reading Boot code and firmware update via HTML upload Automatic update via update server
DSL access	PPPoE protocol
VPN	PPP over PPPoE/PPTP
NAT	Yes
DHCP	Client with private option codes, server mode
Call tone generation	Automatic call tone generation according to European and US standard
Multiple registration	Up to 6 registrations
Telephone book	internal, centralized (optional), integration of external data bases via LDAP
Time	NTP

General arrangement (all dimensions in mm)



Ordering requirements

Type	Designation	Model	Article Number
ResistTel IP4	VoIP telephone	black with 2x LAN	FHF 114 411 220
ResistTel IP4	VoIP telephone	red with 2x LAN	FHF 114 411 222
ResistTel IP4	VoIP telephone	black with relay + 2x LAN	FHF 114 412 220
ResistTel IP4	VoIP telephone	red with relay + 2x LAN	FHF 114 412 222
ResistTel IP4 ZB	VoIP telephone	black without keypad, with relay + 2x LAN	FHF 114 412 120

Accessories			
	Headset		FHF 112 643 04
	Telephone hood model 404	galvanized steel, yellow	FHF 118 901 01
	Telephone hood model 404	V4A stainless steel	FHF 118 901 11
	Telephone hood model 404	synthetic material, orange	FHF 118 901 12
	Telephone hood model 404	synthetic material, yellow	FHF 118 901 13
	Telephone hood model 404	galvanized steel, red	FHF 118 901 14
	Telephone hood model 404	synthetic material, red	FHF 118 901 15
	Telephone hood model 404	GRP, yellow	FHF 118 901 22
	Telephone hood model 404	GRP, orange	FHF 118 901 23
	TWIN LED 24 VDC		FHF 118 823.. *
	TWIN LED 100...253VAC	only for variants with relay contact	FHF 118 827.. *

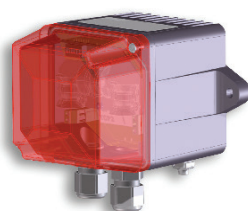
transparent	01
red	02
amber	03
green	04
blue	05

*The full article number for the TWIN is made up by appending the colour code to the article numbers given. AC version only for variants with additional relay.

Accessories



Headset



TWIN LED



Protection hood