

Audible-optical signal FSK

Comax
Signaltechnik

General information

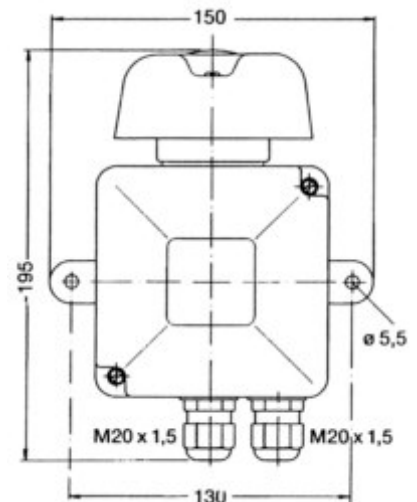
Combination of an audible and optical signal for use with telephones in noisy environments. Power supply from mains (230VAC).

Strobe light flashes also in between ringing signals!



Technical data

Case	Aluminium
- colour	black
Dome	Polycarbonat
Loudspeaker	Shock and cold-resistant plastic
Cover	Macrolon, resistant to UV light
Connections	terminal for cables up to 1.5mm ²
Mounting	wall mounting
Cable gland	2x M20 x1,5
Temperature range	Operation : -20°C up to +60°C Stockage : -25°C up to +85°C
Degree of protection	IP66
Weight	approx. 0,9kg
Mains connection	terminals L1, N, PE
Telephone connection	W, Lb, 24-85VAC, 16-54Hz, 0-63VDC
Audible signal	trough loudspeaker: signal with one, two or three sounds
Sound frequency	4 different possibilities, selection with DIP-switch from 5Hz to 20Hz
Optical signal	xenon bulb, flash frequency 2-4Hz
Impedance	at 25Hz Z >= 8R at 50Hz Z >= 4R



Order data

Item number	Rated voltage	Ripple voltage	Output
FSK.230.1*	230VAC	0-63VDC	approx. 100dB(A) 1m/strobe 3 Joules

* lens: 1= red, 2= amber, 4= green, 5= blue, 7= clear

Technical details may change without prior notice



Comax
Signaltechnik

Comax Industrielle Signaltechnik AG, Thalstrasse 279, CH-4712 Laupersdorf/Schweiz
Tel +41 32 617 31 41 E- mail@comax.ch Internet www.comax.ch

E_FSK_REV0_21_02_2013