

Revolving flash light RTH4

Comax
Signaltechnik

General information

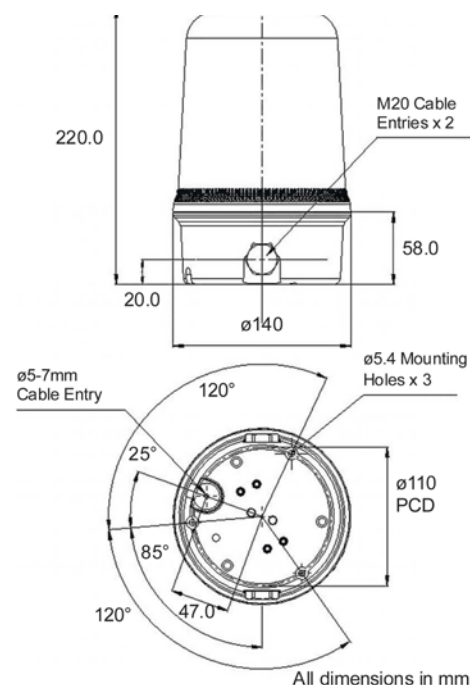
Compact and efficient revolving flash light. High degree of protection IP65.

For applications in the machine and process industry or in building control.



Technical data

Dimensions	Ø 140mm x 220mm
Case	PC
-colour	black
Lens	PC
-colours	red, amber, yellow, green, blue, clear
Bulb	35/40W, Halogen G6.35/GY6.35
Output	325cd (clear lens)
Temperature range	-25°C up to +50°C
Construction	Bayonet with anti-tamper locking screw
Operation	continuous
Turn number	180 revolutions/Min.
Life cycle	>5'000 hours
Installation	Surface, wall, stand
Connection	Cable entry through bottom Ø 5-7mm or on sides 2xM20
Degree of protection	IP65 according to EN60529
Weight	578g



Order data

No. of article	Nominal tension	Light output	Current consumption
RTH4.012.2*	12VDC	35W	3000mA
RTH4.024.2*	24VDC	35W	1540mA
RTH4.115.7*	115VAC/VDC	40W	338mA
RTH4.230.7*	230VAC/VDC	40W	186mA

Lens colour 1 = red, 2 = amber, 3 = yellow, 4 = green, 5 = blue, 7 = clear

Options Wall mounting angle, stand (140mm)

Technical modifications without prior notice



Comax
Signaltechnik

Comax Industrielle Signaltechnik AG, Thalstrasse 279, CH-4712 Laupersdorf/Schweiz
Tel +41 32 617 31 41 E-mail @comax.ch Internet www.comax.ch