

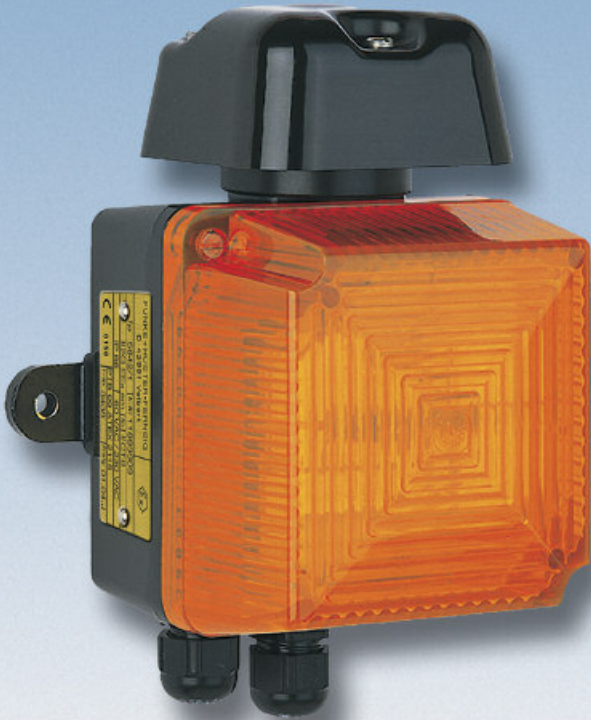


Powering Business Worldwide

Second telephone alarm and signal unit TWIN-EExII type 5842/1

Optical and acoustic telephone call signalling device for use in areas with explosive atmospheres

- ▶ II 2 G Ex e mb [ib] IIC T6 Gb
- ▶ Protection degree IP 66 acc. to EN 60529
- ▶ Explosion-proof optical and acoustic signalling device
- ▶ ATEX-certified
- ▶ Loud multitone bell
- ▶ Powerful strobe light



Application

The TWIN-EExII is specifically designed for use as secondary telephone call indicator or signalling device in industrial applications with explosive atmospheres and may be used both indoors and outside.

The TWIN-EExII signalling device is suitable for both wall and ceiling mounting.

The TWIN-EExII can be adjusted on to the following operating modes with a dip switch:

Second telephone alarm

In this mode the device is used for distinct signalling of incoming telephone calls in noisy environments. The signal is emitted loudly by the bell and addi-tioned by the built-in strobe light. For this the strobe light is operated with call break bridging. The power supply for

the optical and acoustic signals is fed from the 230 V mains. The signals are controlled by the AC-call voltage. No signals are emitted in the event of a power failure.

Signal unit

In this mode the device generates the acoustic and optical signals when the 230 V power supply is applied.

Design

The device is a very compact unit comprising power supply, telephone connection, strobe light, amplifier and loudspeaker. The base is made of sea-water-proof cast aluminium and coated in plastic. The loudspeaker is made of impact and cold-resistant plastic and is mounted firmly on the housing. The cap of the strobe light forms the housing cover and is made of polycarbonate.

Second telephone alarm in a coating plant

The power supply for optical and acoustic signals comes from 230 V mains.



Technical specifications

Housing	Aluminium die cast, polycarbonate
Protection degree	IP 66 (IEC 529)
Cable gland	1x M20 x 1.5 (230 V mains) } Standard 1x M20 x 1.5 (telephone circuit) } version
Cable diameters	6 - 12 mm (230 V line voltage) / 5 - 10 mm (telephone line)
Connection terminals	Cross section up to 1.5 mm ² , single and fine wire
Operating position	Any (wall and ceiling mounting) In dusty rooms and/or rooms exposed to water, vertical, cable glands downwards.
Operating mode	1. Second telephone alarm 2. Signal unit In second telephone alarm mode with call break bridging.
Power supply connection	L1, N, PE (PE on housing) 230 VAC -15% / +10% / 50 Hz / 60 Hz
External fuse required (Not part of supply)	500 mA
Telephone connection	W, Lb 30 VAC to 75 VAC / 23 Hz to 54 Hz / 0 VDC to 63 VDC
Switch-on time	≤ 60 minutes by Ta = +60 °C ≤ 15 minutes by 60 Hz (afterwards 30 minutes of break)

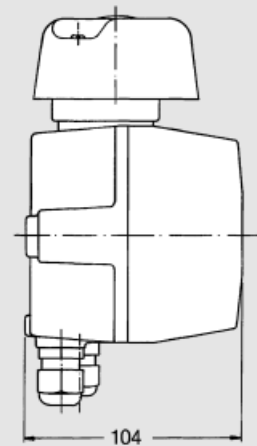
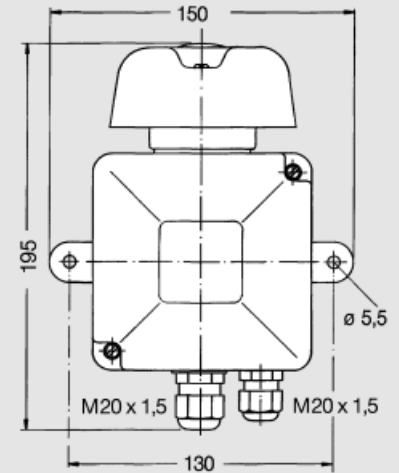
Acoustic signal	Only with 230 V power supply
Signal unit	Loudspeaker
Signals	1-tone call / 2-tone call / 3-tone call
Volume	Approx. 90 dB(A), 1 m

Optical signal	Only with 230 V power supply
Light source	2 flash tubes, approx. 0.9 joule
Flash frequency	1 Hz to 2 Hz
Type of protection and ambient temperature:	II 2 G Ex e mb [ib] IIC T6 Gb for -20 °C ≤ Ta ≤ +40 °C II 2 G Ex e mb [ib] IIC T5 Gb for -20 °C ≤ Ta ≤ +50 °C II 2 G Ex e mb [ib] IIC T4 Gb for -20 °C ≤ Ta ≤ +60 °C

Approval	PTB 99 ATEX 2115 BZT: D 130 879 J IECEX PTB 13.0048
----------	---

Weight	Approx. 1.5 kg
--------	----------------

Terminals



Dip switch settings

Setting	Mode
	Second telephone alarm
	Signal unit
Setting	Melody
	Three-tone 16.6 Hz
	Three-tone 50 Hz
	Three-tone 120 ms on / 50 ms off
	Three-tone 60 ms on / 25 ms off
	Two-tone 16.6 Hz
	Two-tone 50 Hz
	One-tone Continuous signal
	One-tone 120 ms on / 50 ms off

* The full article number is made up by appending the colour code for the coloured cap to the article numbers given below.

transp.	11
red	12
amber	13
green	14
blue	15

Order information

Type	Name	Rated volt. V	Call voltage	Call frequency	Art. no.*
TWIN-EEExII	Second telephone alarm and signal unit	230 VAC	30-90 VAC	16 Hz...54 Hz	FHF118833 ..

Subject to change without notice · Printout 05/16