

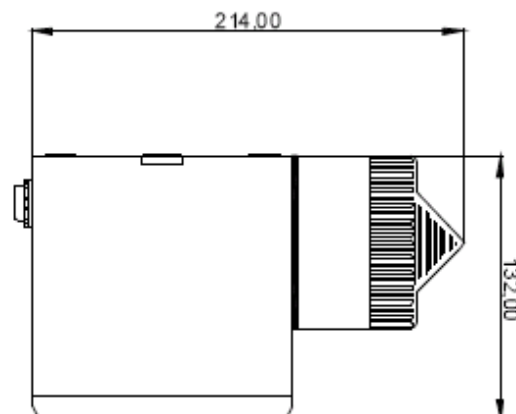
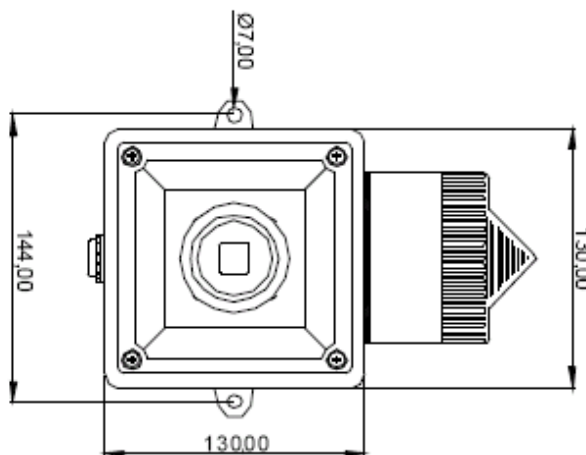
Sounder/Strobe with Telephone relay AL105T

Comax
Signaltechnik



General information

Sounder with xenon strobe light in one case. 3 sounds to choose. Volume control. Audibility up to 60m (at 1000Hz). Strobe light in 7 different lens colours available. Degree of protection IP66.
Option: tropicalized version



Technical data

Xenon strobe light

Power output 5 Joule, 250cd (clear lens)

Supply 230VAC

Sounder

Tones choice of 3 different tones

Supply through telephone

Case

Material ABS, shock-resistant

Colour red (RAL3000)

Lens PC shock-resistant

Lens colours red, amber, yellow, green, blue, clear, white

Degree of protection IP66 according to EN60529

Connection

- cable entry hole for cable gland M20

- lead terminal up to 2.5mm

General

Temperature range -25°C to +55 °C

Relative humidity 90% at 20°C

Duty cycle continuous operation

Weight 0.950kg

Approval GOST-R

Order data

Article number	Rated voltage	Sound intensity level	Current consumption
AL105.230.7*03	230VAC	approx. 105dB(A),1m	50mA

Colours 1= red, 2= amber, 3= yellow, 4= green, 5= blue, 6= white, 7= clear

Subject to change without prior notice



Comax
Signaltechnik

Comax Industrielle Signaltechnik AG, Thalstrasse 279, CH-4712 Laupersdorf/Schweiz
Tel +41 32 617 31 41 E- mail@comax.ch Internet www.comax.ch