

# Electronic Sounder D112

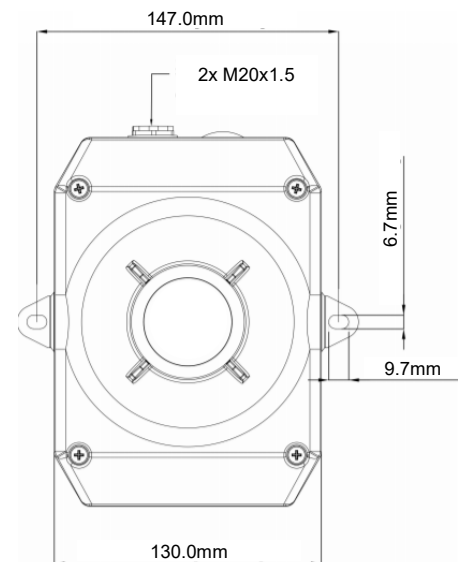
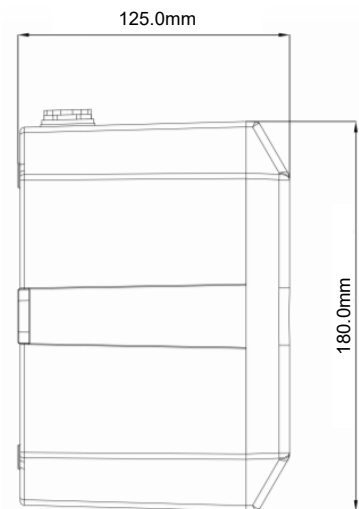
**Comax**  
Signaltechnik



## General Information

Universal electronic sounder with 64 different alarm tones, 4 remotely activated alarm stages. Audible distance up to 125m. Volume control. Automatic synchronisation of several devices. Polarized diode for use in supervised circuits. Degree of protection IP66.

Option: UL-Approval



## Technische Daten

Sound level output	112dB(A)
No. of tones	Choice of 64 tones (see tone table)
Audible distance	approx. 125m @ 1kHz
Volume control	-12dB(A) tone dependent
Tone control	4 stages
Synchronisation	automatic
Operation	Continuous operation
Housing	
-material	Marine grade aluminium A1 Si12 Cu
-colour	grey RAL 7038
Mounting	2 fixing lugs
Degree of protection	IP66 acc. EN60529
Temperature	-40°C to +55°C
Cable entry	2xM20 with stopping plugs
-connection	Terminals 0.5 - 2.5 mm <sup>2</sup>
Weight	DC: 1.600kg AC: 1.850kg
Options	UL-Approval

## Order data

Item number	Rated voltage	Sound level	Current consumption
D112.024.2	20-28VDC	approx. 112dB(A),1m	200mA at 24VDC
D112.048.2	42-54VDC	approx. 112dB(A),1m	120mA at 48VDC
D112.024.7	24-28VAC 50/60Hz	approx. 112dB(A),1m	500mA at 24VAC
D112.115.7	115VAC +/-10% 50/60Hz	approx. 112dB(A),1m	100mA at 115VAC
D112.230.7	230VAC +/-10% 50/60Hz	approx. 112dB(A),1m	60mA at 230VAC

Subject to change without prior notice



**Comax**  
Signaltechnik

Comax Industrielle Signaltechnik AG, Thalstrasse 279, CH-4712 Laupersdorf/Schweiz  
Tel +41-(0)32-617 31 41 E-mail mail@comax.ch Internet www.comax.ch