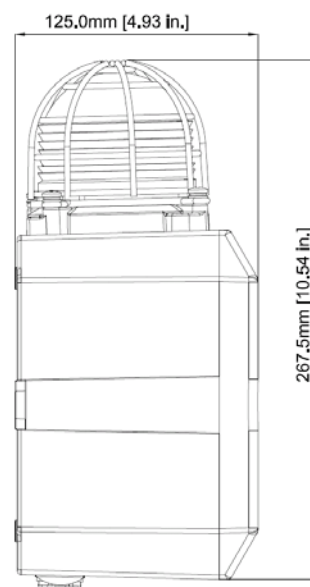
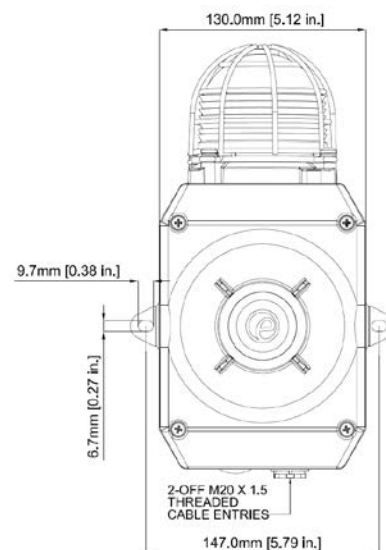


Electronic sound generator with LED-Multifunction light DL105H

Comax
Signaltechnik



- 32 different tones
- 105dB (A) +/- 3dB
- range up to 60m
- 3 alarm stages
- 24 high intensity LED
- Aluminium case



Technical data

LED-Multifunction light

Light source	24 Superflux high output LED
-colours	red, amber, green, blue, white
Lens	clear
Flash options	steady or flash 2Hz
Effective intensity	120cd with white LED

Sounder

Output	max. 105dB, min. 96dB (tone 2)
Tones	32
Range	up to 60m
Alarm stages	3
-control	negative, reverse polarity on DC units
Synchronization	automatic on multi-sounder system

Case

Material	Aluminium A1 Si12 Cu
-colour	grey (RAL7038)
Fixings	stainless steel
Degree of protection	IP66 according to EN 60529
Temperature range	-25°C up to +55°C
Cable entries	2xM20-threads (1x stopping plug)
Terminals	cables up to 1.5mm ²

General

Operation	continuous
Weight	DC: 2.10kg, AC 2.35kg
Options	Tropicalized version, UL approval Case red (RAL3000)

Order data

No. of article	Tension	Output	Current
DL105H.024.2*	12-30VDC	approx.105dB(A),1m	Sounder 25mA / LED 157mA
DL105H.048.2*	35-60VDC	approx.105dB(A),1m	Sounder 50mA / LED 55mA
DL105H.115.7*	115VAC	approx.105dB(A),1m	Sounder 20mA / LED 60mA
DL105H.230.7*	230VAC	approx.105dB(A),1m	Sounder 15mA / LED 35mA

Colours of LED: 1=red, 2=amber, 4=green, 5=blue, 6=white

Modification of technical details without prior notice



Comax
Signaltechnik

Comax Industrielle Signaltechnik AG, Thalstrasse 279, CH-4712 Laupersdorf/Schweiz
Tel +41 32 617 31 41 E- mail@comax.ch Internet www.comax.ch