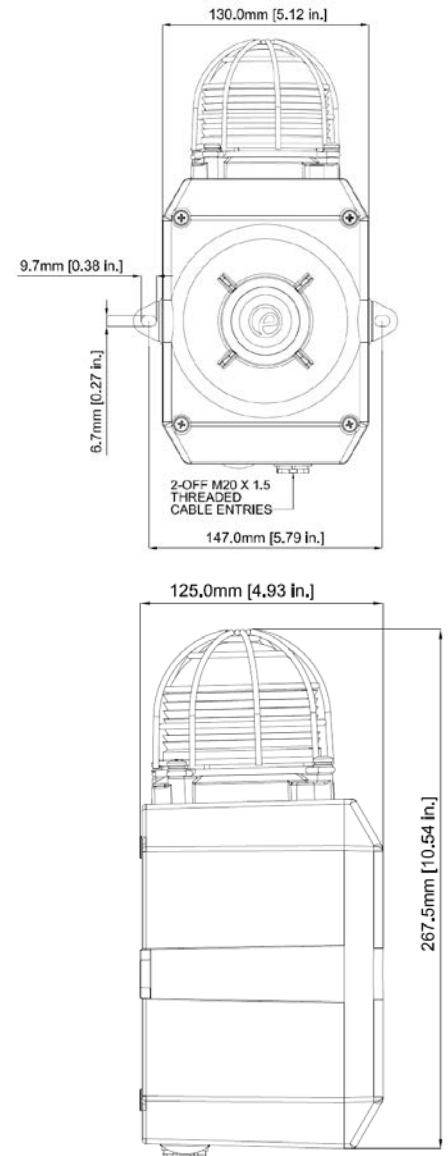


Electronic sound generator with xenon strobe light DL105X

Comax
Signaltechnik



- 32 different tones
- 105dB (A) +/- 3dB
- range up to 60m
- 3 alarm stages
- 5 Joules
- Aluminium case



Technical data

Strobe light

Light source	Xenon tube
Colours of lens	red, amber, yellow, green, blue, clear
Flash rate	1Hz/1,5Hz/Double strike flash
Strobe	5 Joule
	200cd with clear lens

Sounder

Output	max. 105dB, min. 96dB (tone 2)
Tones	32
Range	up to 60m
Alarm stages	3
-control	negative, reverse polarity on DC units
Synchronization	automatic on multi-sounder system

Case

Material	Aluminium A1 Si12 Cu
-colour	grey (RAL7038)
Fixings	stainless steel
Degree of protection	IP66 according to EN 60529
Temperature range	-25°C up to +55°C
Cable entries	2xM20-threads (1x stopping plug)
Terminals	cables up to 1.5mm ²

General

Operation	continuous
Weight	DC: 2.10kg, AC 2.35kg
Options	Tropicalized version, UL approval Case red (RAL3000)

Order data

No. of article	Tension	Output	Current
DL105X.024.2*	20-28VDC	approx. 105dB(A),1m	Sounder 25mA / Beacon 250mA
DL105X.048.2*	35-60VDC	approx. 105dB(A),1m	Sounder 50mA / Beacon 175mA
DL105X.024.7*	24VAC	approx. 105dB(A),1m	Sounder 40mA / Beacon 300mA
DL105X.115.7*	115VAC	approx. 105dB(A),1m	Sounder 20mA / Beacon 70mA
DL105X.230.7*	230VAC	approx. 105dB(A),1m	Sounder 15mA / Beacon 35mA

Colours of lenses: 1=red, 2=amber, 3= yellow, 4=green, 5=blue, 7=clear

Modification of technical details without prior notice



Comax
Signaltechnik

Comax Industrielle Signaltechnik AG, Thalstrasse 279, CH-4712 Laupersdorf/Schweiz
Tel +41 32 617 31 41 E- mail@comax.ch Internet www.comax.ch