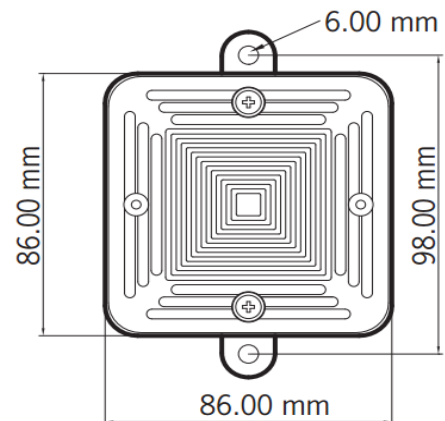
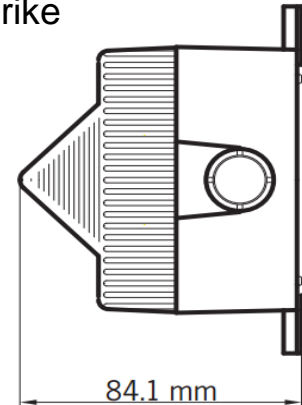


Xenon Strobe L101X



- Wall, ceiling or open
- Frequency 1Hz / 1,5Hz / double strike
- min. current 250mA
- **codes see table**



Technical data	
Xenon Strobe	
Output	5 Joules (250cd)
Frequency	1Hz / 1,5Hz / double strike
EN54-23 (see also table below)	
Mounting	Wall
Coverage (y)	see table
Mounting height (x)	see table
Coverage volume	see table
Mounting	Ceiling
Coverage (y)	see table
Mounting height (x)	see table
Coverage volume	see table
Case	
Material	case ABS, lens PC
-colours of case	red or white
-colours of lens	red or clear
Degree of protection	IP66
Temperature range	-25°C up to +70 °C
Weight	200g
Approval	EN 54-23

Categories			
Unit	Code C (Ceiling)	Code W (Wall)	Code O (open)
24VDC flash clear	C-9-6.8 V=326,9m ³	W-2.4-4.8 V=55,3m ³	O-4.8-10 V=230,4m ³
24VDC flash red	C-3-2.6 V=15,9m ³	n.a.	O-1.9-3.6V=13m ³
48VDC flash clear	C-9-7 V=346,4m ³	W-2.5-5 V=62,5m ³	O-5-10 V=250,4m ³
48VDC flash red	C-3-3 V=21,2m ³	n.a.	O-2-4 V=16m ³

Order data			
No. of article	Tension	Frequency	Current
L101X.024.2 ^{1 2}	20-28VDC	1Hz / 1,5Hz / double strike	300mA/250mA
L101X.048.2 ^{1 2}	42-52VDC	1Hz / 1,5Hz / double strike	250mA/175mA

¹ case colours	1 = red, 6 = white
² flash colours	1 = red (lens red), 7 = white (lens clear)

Technical modifications without prior notification

