

Telephone relay for optical and audible alarms

Comax
Signaltechnik

General information

Compact telephone relay for optical and audible alarms.

Jumper settings for continuous or intermitting function: (intermitting for lights, continuous for audible alarms).

Built for applications with classic or IP analogue lines and NT analogue.

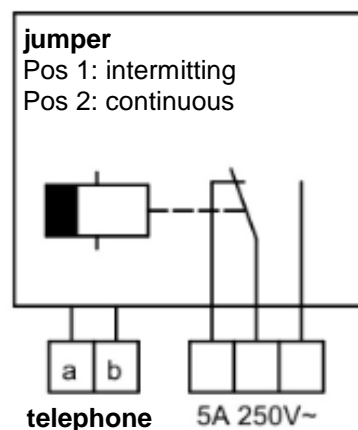
No auxiliary voltage needed.

All IP
getestet



Technical data

Housing	ABS plastic
Colour	light grey
Dimensions	114x114x60 mm
Power supply	ring tone tension 20...80VAC power consumption max. 60mA impedance 3kOhm
Relay contacts	max. 250V/5A
Degree of protection	IP54 according to EN60529
Temperature	-20°C - +45°C
Cable entries	1 cable gland M16 1 cable gland M12



Order data

Item number

TRIP.230.1

Rated voltage

12...250VAC/DC

Subject to change without prior notice



Comax
Signaltechnik

Comax Industrielle Signaltechnik AG, Thalstrasse 279, CH-4712 Laupersdorf/Schweiz
Tel +41 32 617 31 41 E- mail@comax.ch Internet www.comax.ch

E_TRIP_REV0_01_02_2018