



E92007-E

LED Square Worklamp

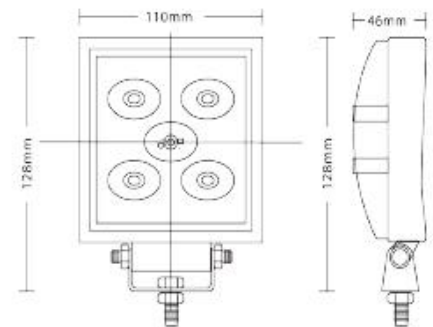
The E92007-E worklamp offers high intensity 500 lumen light output and IP67 ingress protection makes this LED worklamp the ideal choice for a wide variety of applications. Features 12/24V operation.

Models

PART NO.	VOLTAGE	AMPS	LUMENS	TYPE
E92007-E	10-30V	0.9	500	Flood

Features and Benefits

- Five LEDs
- Aluminum heatsink housing
- Acrylic lens
- IP67



Beam Pattern

