



3800 SERIES SAE Class I Surface Mount

3800 Series directional LEDs comprise 20 high intensity LEDs with individual reflectors to provide truly outstanding light output in a very cost-effective package. Featuring 13 flash patterns and synchronization capability, offering fit-and-forget maintenance-free operation and low amp draw.

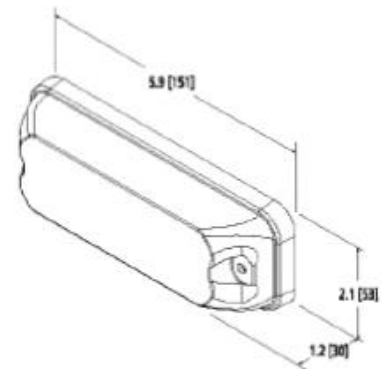
Models

PART NO.	VOLTAGE	AMPS	MOUNT
3811X	12-24	0.26	Surface

Replace X in part number with desired color: A=amber, B=blue, C=clear, R=red

Features and Benefits

- Tough, clear polycarbonate housing with encapsulated electronics
- 13 flash patterns
- Synchronizable with other 3811/3861s
- Discrete units are colourless when not illuminated
- SAE J595 Class I
- CE, ECE R10
- Temperature Range: -30°C to +50°C



Flash Patterns (13)

• Single	75 FPM	Phase A
• Single	75 FPM	Phase B
• Double	75 FPM	Phase A
• Double	75 FPM	Phase B
• Quad	75 FPM	Phase A
• Quad	75 FPM	Phase B
• NFPA	75 FPM	N/A
• Fast Single	120 FPM	Phase A
• Fast Single	120 FPM	Phase B
• Fast Double	120 FPM	Phase A
• Fast Double	120 FPM	Phase B
• Fast Quad	120 FPM	Phase A
• Fast Quad	120 FPM	Phase B