



ED5000 Series

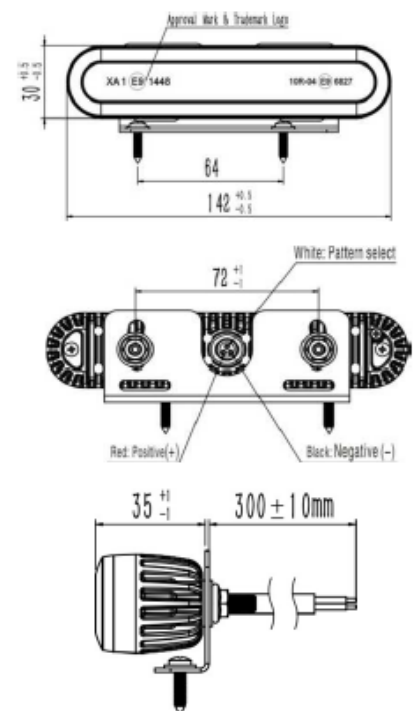
The ED5000 Series single colour directional LED warning lights offer the flexibility of multiple mounting options within a single unit. Comprising 6 high intensity LEDs, R65 approved*. 18W power output and the choice of alternative flash patterns, all ECE R10 approved and IP67, clear lens with a 0.25M potted cable for added security.

Models

PART NO.	COLOUR	VDC	FLASH PATTERNS	MOUNT
ED5000A	Amber	12-24	3	Surface
ED5000B	Blue	12-24	3	Surface
ED5000R	Red	12-24	3	Surface
ED5000C	Clear	12-24	3	Surface

Features and Benefits

- 6 high-intensity LEDs provide exceptional warning
- Low current draw consumption
- 3 flash patterns
- Clear lens
- Aluminum housing, polycarbonate lens
- Encapsulated electronics
- Colourless when not illuminated
- R10, R65* Amber & Blue Only
- Temperature Range: -40°C to +65°C
- AMPS - 1.5 @ 12V and 0.75 @ 24V
- 142 L x 30 H x 35 D (excluding bracket)



Wire Hook-Up Table

WIRE COLOR	CONNECT TO:
RED	10-30VDC
BLACK	Negative (-)
WHITE	Pattern select

Flash patterns

Flash patterns	FPM (Flashes per minute)
1. Single	353
2. Double	313
3. Quad	405