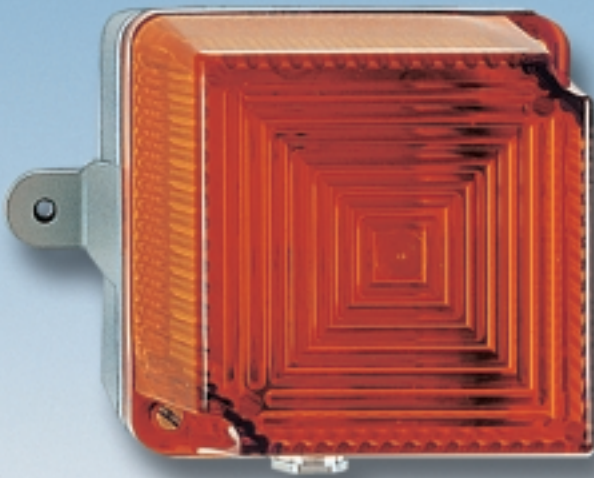


Dust line



EEx Strobe Light BDK 22

**Robust optical signalling device
for indoor and outdoor use in Zone 22**

- ▶ Protection degree IP 54
- ▶ Compensation valve to prevent condensation water
- ▶ Flash energy: 5 joule
- ▶ CE II 3 D T85°C IP 54
-20°C ≤ Ta ≤ +50°C



Application

It is often necessary to use optical signals for warning and indicating purposes in very noisy surroundings.

The BDK strobe light emits clearly recognisable signals. The sturdy housing conforms to protection degree IP 54 and is suitable for both indoor and outdoor use.

The strobe light is available in different cap colours.

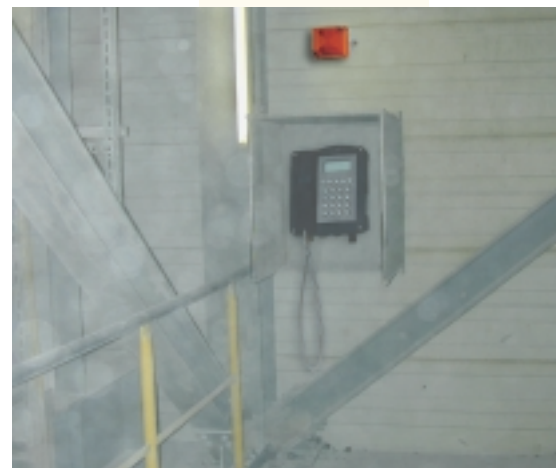
Design

The modern electronics are mounted on a printed circuit board of glass fibre reinforced epoxy resin. A powerful electronic flash tube converts the electrical energy stored in the flash capacitor into light flashes with high efficiency.

The weather-proof coated aluminium die-cast housing is equipped with a ribbed cap of impact-resistant plexi-glass. The strobe light is provided with a M20 cable gland for cable diameters of 8 to 12 mm.

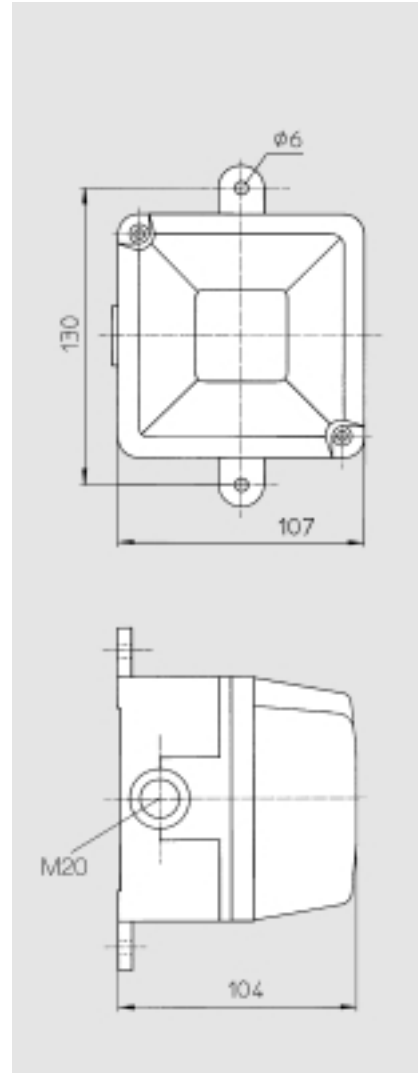
Alarm system in a silo

The BDK 22 strobe light emits clearly recognisable signals.



Technical specifications

Housing	Seawater-proof aluminium, surface weather-proof coated
Colour	Light grey
Cap	Plexiglass
Colours	red, amber (other colour, on request)
Protection degree	IP 54 (IEC 529)
Protection class	I
Cable gland	1 x M20 for cables 8–12 mm (second cable gland is retrofittable)
Connection terminals	Cross section: 2,5 mm ² single wire 1,5 mm ² fine wire
Operating conditions	Indoors and outdoors
Operating position	Any (preferably with cable gland downwards)
Operating mode	Continuous
Flash energy	5 joule
Flash frequency	60/min.
Temperature range	
Operation	-20° C to +50° C
Storage	-30° C to +70° C
Weight	Approx. 0.7 kg
Explosion protection	CE II 3 D T85° C IP 54 -20° C ≤ Ta ≤ +50° C



* The full article number is made up by appending the colour code for the coloured cap to the article numbers given below.

red 02
amber 03

Order information

Type	Name	Rated voltage U _e	Operating voltage range U _e	Current consumption	Fuse 5x20	Art. no.*
BDK 22	Strobe Light	230 VAC 50–60 Hz	-10/+6%	0.07 A	2.0 AT (time lag)	224 712 ..
BDK 22	Strobe Light	24 VDC	15–32 V	0.30 A	1.0 AT (time lag)	224 814 ..

Subject to change without notice

Printout 11/05