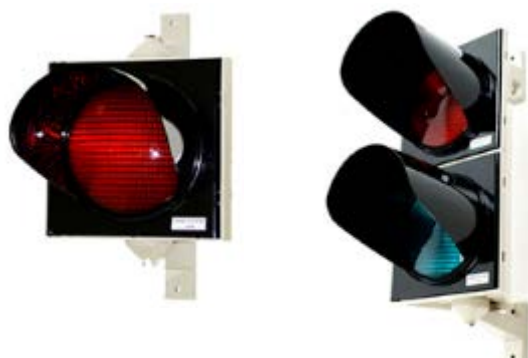


LED-Signal light SAL2

General information

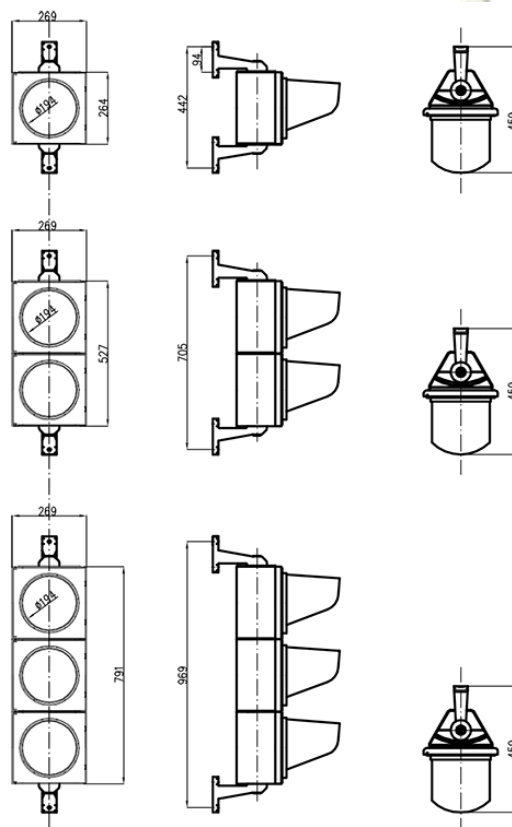
Powerful LED- signal light, flexible installation on movable steel bracket, powder coated, can be combined as double or triple signal light with red, yellow or green lens.

Two redundant switching circuits. Operating time up to 50'000 hours.



Technical data

Case	Polycarbonate
-colour	grey RAL 7032 (housing) black RAL9007 (sun shield)
Lens	Ø 200mm
-colours	red, yellow or green
LED	12W
- colours	red, yellow or green
Temperature range	-40°C – +60°C
Operation	continuous
Installation	Polycarbonate bracket
Cable entry	M20
Degree of protection	IP65 according EN6529
Class of protection	IV
Weight	2.4kg



Order data

Item number	Lens + LED colour	Tension	Current
SAL2.024.31	Red	24V AC/DC (+10%/-15%)	500mA
SAL2.024.33	Yellow	24V AC/DC (+10%/-15%)	500mA
SAL2.024.34	Green	24V AC/DC (+10%/-15%)	500mA
SAL22.024.3	Red/Green	24V AC/DC (+10%/-15%)	500mA
SAL23.024.3	Red/Yellow/Green	24V AC/DC (+10%/-15%)	500mA
SAL2.230.11	Red	230V AC	50mA
SAL2.230.13	Yellow	230V AC	50mA
SAL2.230.14	Green	230V AC	50mA
SAL22.230.1	Red/Green	230V AC	50mA
SAL23.230.1	Red/Yellow/Green	230V AC	50mA

Option Lens symbols available on demand

Technical modifications without prior information

