

Telephone relay for optical or audible alarms

Comax
Signaltechnik

General information

Compact telephone relay for optical or audible alarms.

Adjustable follow-up time from 0 to 8 seconds.

Versatile application for use with analogue lines of IP-telephone systems, classic analogue-systems or NT analogue.

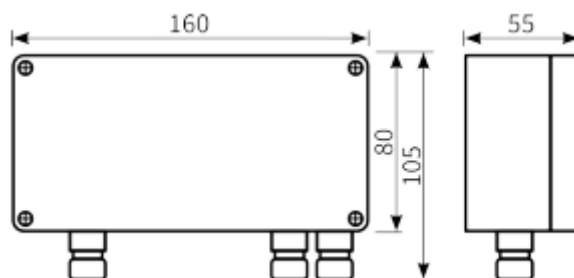
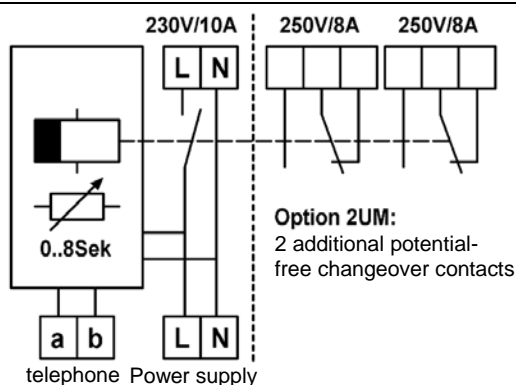
Separate power supply with 230V safety transformer. Other tensions on demand.



Technical data

Housing	ABS plastic
Colour	light grey
Dimensions	160 x 80 x 55 mm
Supply voltage	230VAC
Power consumption	0.8W Standby / max.1.5A
Call voltage	30...80VAC
Input impedance	10kOhm
Contact rating	max. 10A/250V
Degree of protection	IP54 according to EN60529
Temperature	-20°C - +45°C
Cable entries	2 cable glands M16 1 cable glands M12

- Options:
- Other voltages (24V, 48V etc.)
 - 2 add. UM Relais max. 8A/250V
12...250VAC/DC



Order data

Item number	Rated voltage	Current consumption	Option
TRT.230.1	230VAC	3.5 – 7mA	
TRT2.230.1	230VAC	3.5 – 7mA	2 UM Relays

Subject to change without prior notice



Comax
Signaltechnik

Comax Industrielle Signaltechnik AG, Thalstrasse 279, CH-4712 Laupersdorf/Schweiz
Tel +41 32 617 31 41 E- mail@comax.ch Internet www.comax.ch