

LED-Signal light LDA2

General information

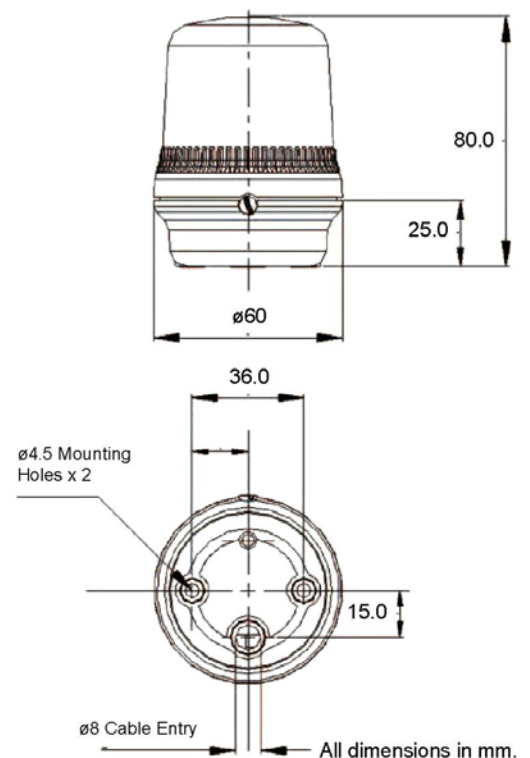
Compact but efficient LED signal light with a broad tension range. 9 high power LED's. High degree of protection IP65.

For applications in the machine industry or in building control.



Technical data

Dimensions	Ø 60mm x 80mm
Case	PC
-colour	black
Lens	PC
-colours	red, amber, yellow, green, blue, clear
Temperature range	-25°C up to +50°C
Construction	Bayonet with anti-tamper locking screw
Operation	Continuous
Installation	Surface, wall, stand
Connection	Cable entry through bottom Ø 8mm
Degree of protection	IP65 according to EN60529
LED	9 high power LED's
Weight	78g



Order data

No. of article	Nominal tension	Current consumption
LDA2.024.2*	10-30VDC	80mA
LDA2.230.7*	90-230VAC 50/60Hz	32mA

Lens colours

1 = red, 2 = amber, 3 = yellow, 4 = green, 5 = blue, 7 = clear

Options

Wall mounting angle, stand (140mm)

Technical modifications without prior notice

