

# LED-Signal light AL2

## General information

Multi functional LED-Signal with 5 colours and 3 signals: steady light, flash light and strobe light, all in one module, selection of signal with DIP-switch.

Extreme long life time, very low current consumption.

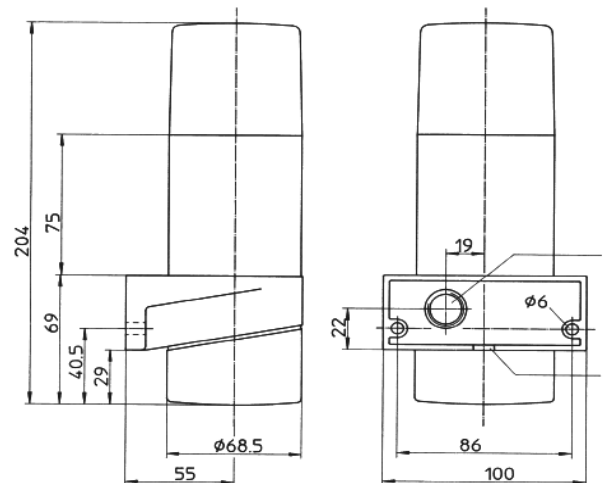
An alternative solution to common signal towers!

Suitable for many applications, e.g. security, industrial automation and machine construction.



## Technical Data

Body	Plastic, grey
Lens	Polycarbonat, clear
Cable entry	M16x1,5 for wires 6-8mm
Operation	continuous
Degree of protection	IP54 according to EN 60529
Installation	wall mounting
Temperature	-25°C up to +60°C
Weight	approx. 0.3 kg



## Order data

No. of article	Nominal tension	Current consumption	Strobe	Flash
AL2.024.2	24 VDC	180mA	50ms on, 450ms off	200ms on, 300ms off
AL2.230.1	90-265 VAC	90mA	50ms on, 450ms off	200ms on, 300ms off

Technical data may be changed without prior notice

