

Panel mount LED flash light DF

Comax
Signaltechnik

General information

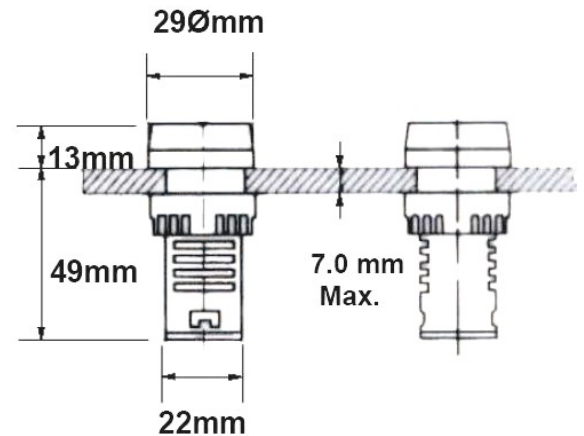
Panel mount flash light in LED technology. For holes with diameter 22mm. High degree of protection IP65.

For applications on control boards or in the machine industry.



Technical data

Dimensions	Ø 29mm x 62mm
Case	PC
-colour	black
Lens	PC
-colour	red
Temperature range	-25°C up to +50°C
Operation	continuous
Installation	panel mount, holes Ø 22mm
Degree of protection	IP65 according to EN60529
LED	2x red
Flash frequency	2Hz
Life cycle	50'000 hours
Weight	90g



Order data

No. of article	Nominal tension	Current
DF.024.31	24VAC/VDC	15-30mA
DF.048.31	48VAC/VDC	15-30mA
DF.115.31	110-130VAC/VDC	15-30mA
DF.230.11	230VAC	15-30mA

Options

Label holder 25x18mm, 25x10mm

Modifications of technical data without prior notice



Comax
Signaltechnik

Comax Industrielle Signaltechnik AG, Thalstrasse 279, CH-4712 Laupersdorf/Schweiz
Tel +41 32 617 31 41 E- mail@comax.ch Internet www.comax.ch