

# LED-Signal light TLA4

**Comax**  
Signaltechnik

## General information

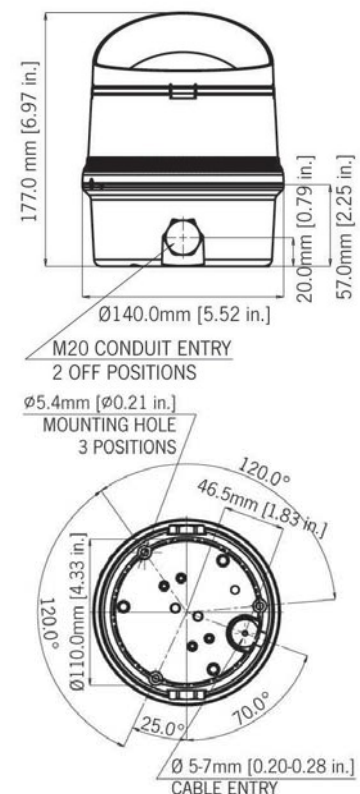
Compact and efficient LED-Signal light with a broad tension range. Modular system allows multiple combinations. 18 high power LED's. Multiple flash patterns. High degree of protection IP65.

For applications in the machine and process industry, in building control, for doors and gateways and in internal transport.



## Technical data

Dimensions	Ø 140mm x 177mm
Case	PC
-colour	black/grey
Lens	Prism lens, PC
-colours	Red, amber, yellow, green, blue, clear
LED	18 High power LED's
Function	High power steady Blinking 425ms ON/75ms OFF Blinking 1Hz 200ms ON/800ms OFF Blinking 1.33Hz 150ms ON/600ms OFF Double- flash & triple-flash
Output	356cd (continuous)
Temperature range	-40°C up to +70°C
Relative humidity	95% at 20°C
Construction	Bayonet with anti-tamper locking screw
Operation	continuous
Installation	Direct or with a bracket
Connection	Cable entry through bottom Ø 5-7mm or on side M20
Degree of protection	IP65 according to EN60529
Weight	425g



## Order data

No. of article	Nominal tension	Current consumption
TLA4.024.2*	16-33VDC/10-14VDC (adjustable)	180mA (@24VDC)
TLA4.230.7*	90-230VAC 50/60Hz; 48-260VDC	55mA (@230VAC)

**LED colours** 1 = red, 2 = amber, 3 = yellow, 4 = green, 5 = blue, 7 = clear

**Options** Wall mounting bracket

Technical modifications without prior notice



**Comax**  
Signaltechnik

Comax Industrielle Signaltechnik AG, Thalstrasse 279, CH-4712 Laupersdorf/Schweiz  
Tel +41 32 617 31 41 E- mail@comax.ch Internet www.comax.ch

E\_TLA4\_REV2\_25\_11\_2020