

# Electronic sounder SAP

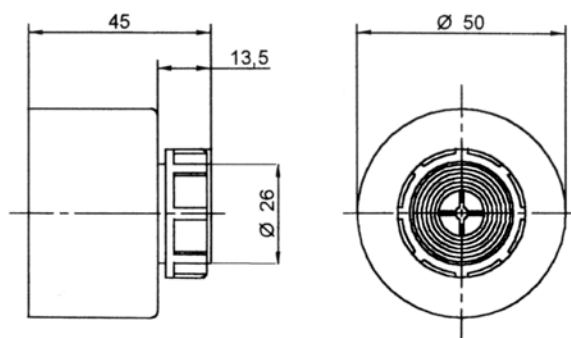
## General information

Powerful electronic panel mount sounder with two sounds. For holes with diameter 28mm. Degree of protection IP65. Volume control standard. Can be synchronized



## Technical data

Case	ABS
Colour	red or white
System of protection	IP 65
Tones	32 tones (see table)
Starting time	1.5 milliseconds
Starting current	30 mA for 2 milliseconds
Temperature range	-25°C bis +70°C
Duty cycle	continuous operation
Mounting	panel mounting
Weight	approx. 90 g



## Order data

Item number	Rated voltage	Sound intensity level	Current consumption	Type
SAP.024.21	9-28 VDC	approx. 92 dB(A), 1m	41 mA	red
SAP.024.26	9-28 VDC	approx. 92 dB(A), 1m	41 mA	white

Data of sound output and current consumption measured at 24VDC, tone 3

Subject to change without prior notice

