

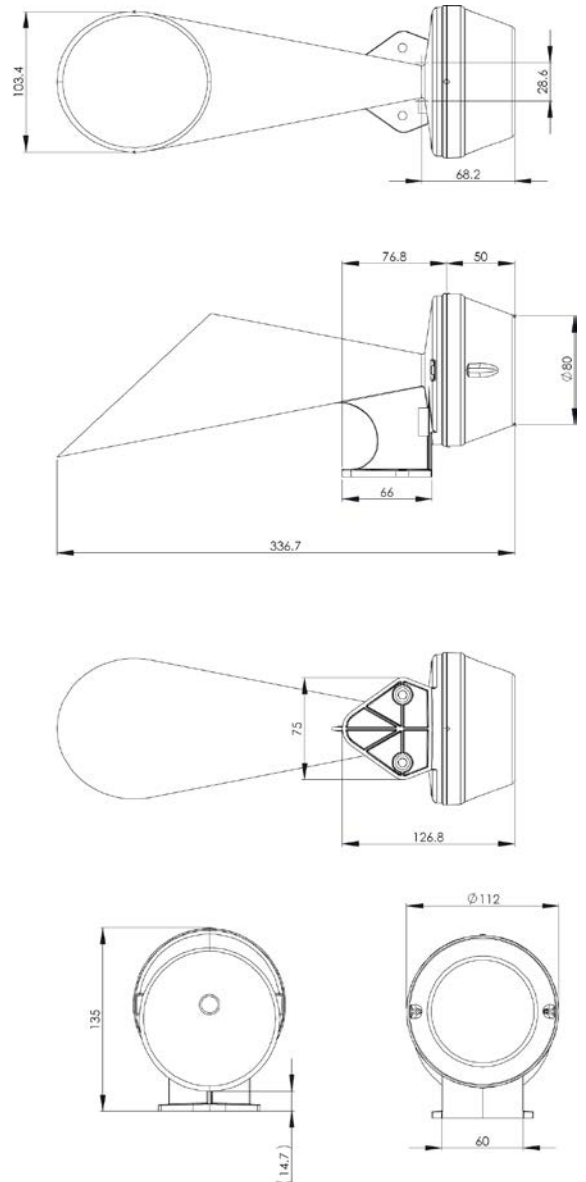
Electronic Alarm Horn H110T

Comax
Signaltechnik



General information

Universal electronic alarm horn with trumpet for manifold uses. Three different tones selectable. Volume control. Wide range of nominal tensions in AC and DC. High degree of protection IP65.



Technical data

Case	ABS, shock-resistant
Colour of case	light grey
Degree of protection	IP65 according to EN60529
Temperature range	-25°C to +50 °C
Duty cycle	continuous operation
Tones	buzzer alternate tone 1200/500Hz, 1Hz alternate tone 800/1000Hz, 7Hz
Connection	
- cable entry	5-7mm Ø push-through grommet
- cable installation	flush or surface mounting
- lead	terminal up to 0,5 - 1,5mm ²
Installation	Ø6,5mm, separation 50mm
Weight	approx. 0.341 kg

Order data

Item number	Rated voltage	Sound intensity level	Current consumption	Type
H110T.024.3	12-30VAC/VDC	approx. 110dB(A), 1m	105mA at 24VDC	with trumpet
H110T.230.3	40-260VAC/VDC	approx. 110dB(A), 1m	18mA at 230VAC	with trumpet

Subject to change without prior notice



Comax
Signaltechnik

Comax Industrielle Signaltechnik AG, Thalstrasse 279, CH-4712 Laupersdorf/Schweiz
Tel +41 32 617 31 41 E-mail@comax.ch Internet www.comax.ch

E_H110T_REV3_08_06_2016