

# Small hooter with strobe light HPX3+4

**Comax**  
**Signaltechnik**

## General information

Electro-mechanical hooter without flare, combined with a xenon strobe light.

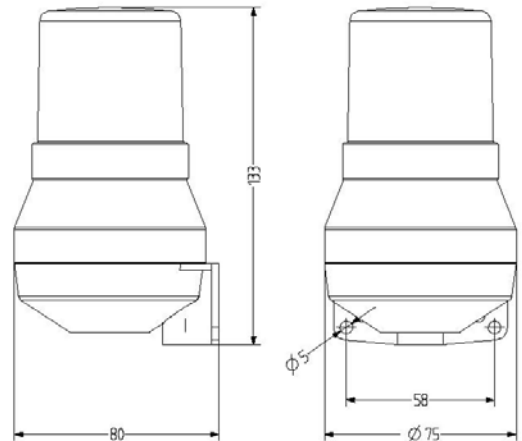
For universal applications.

Separate control of hooter and strobe light.



## Technical data

Case	ABS, shock-resistant
Color	Grey (RAL 7035)
Lens	Polycarbonate, red or yellow
Flash	1 Joule, 1.4 Hz
Protection	IP43 according to EN 60529
Temperature range	-20°C bis +50°C
Operation	Continuous
Cable:	
-gland	Conductor up to 2,5 mm <sup>2</sup>
Installation	Vertical, Sound outlet opening at bottom
Weight	Approx. 0.245 kg



## Order data

Item number	Rated voltage	Sound intensity level	Current consumption
HPX4.024.2*	24 VDC (+/- 10%)	ca. 92 dB(A), 1m	160 mA
HPX3.230.1*	230 VAC, 50 Hz (+/- 10%)	ca. 88 dB(A), 1m	35 mA

\*Lens color                      1 = red, 3 = yellow

Subject to change without prior notice



**Comax**  
**Signaltechnik**

Comax Industrielle Signaltechnik AG, Thalstrasse 279, CH-4712 Laupersdorf/Schweiz  
Tel +41-(0)32-617 31 41                      E-mail mail@comax.ch                      Internet www.comax.ch