

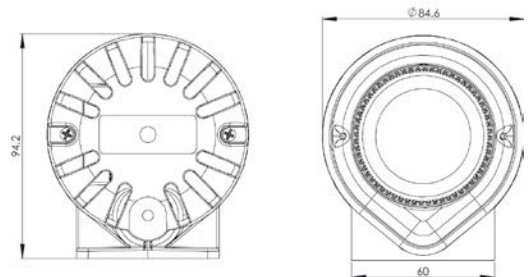
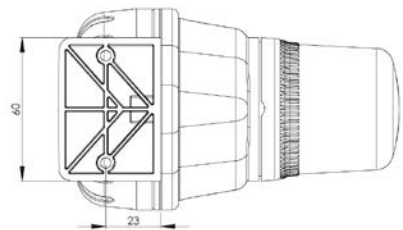
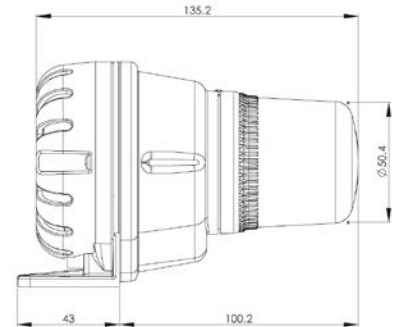
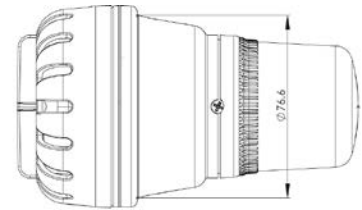
Electronic Alarm Horn with “Xenon” strobe light H100BX

Comax
Signaltechnik



General information

Universal electronic alarm horn without trumpet with xenon strobe light for manifold uses. Three different tones selectable. Volume control. Strobe light in 6 different colours. Separate control of horn and strobe light. High degree of protection IP65.



Technical data

Case	ABS, shock-resistant
Colour of case	light grey
Strobelight	1 Joule, 0,75Hz
Lens	PC, shock-resistant
Colours of lens	red, amber, blue, green, yellow, clear
Output	37cd (clear lens)
Degree of protection	IP65 according to EN60529
Temperature range	-25°C to +50 °C
Duty cycle	continuous operation
Tones	buzzer alternate tone 1200/500Hz, 1Hz alternate tone 800/1000Hz, 7Hz
Connection	
- cable entry	5-7mm Ø push-through grommet
- cable installation	flush or surface mounting
- lead	terminal up to 0,5 - 1,5mm ²
Weight	approx. 0.188 kg

Order data

Item number	Rated voltage	Sound intensity level	Current consumption	Type
H100BX.024.3*	24VAC/VDC	approx. 100dB(A), 1m	horn: 10mA at 24VDC 24mA at 24VAC strobe: 82mA at 24VDC 145mA at 24VAC	without trumpet
H100BX.115.7*	115VAC	approx. 100dB(A), 1m	horn: 19mA strobe: 30mA	without trumpet
H100BX.230.7*	230VAC	approx. 100dB(A), 1m	horn: 10mA strobe: 20mA	without trumpet

Colours of lens 1= red, 2= amber, 3= yellow, 4= green, 5= blue, 7= clear

Subject to change without prior notice



Comax
Signaltechnik

Comax Industrielle Signaltechnik AG, Thalstrasse 279, CH-4712 Laupersdorf/Schweiz
Tel +41 32 617 31 41 E- mail@comax.ch Internet www.comax.ch

E_H100BX_REV1_08_06_2016