

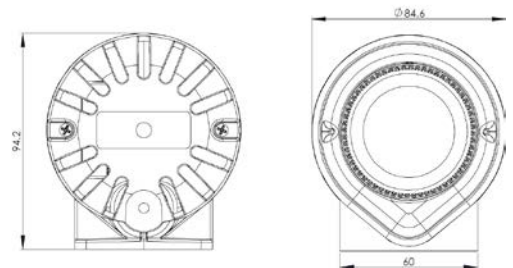
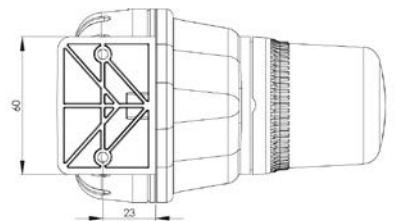
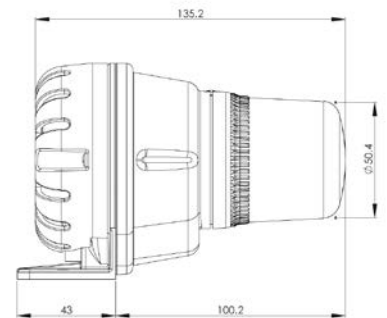
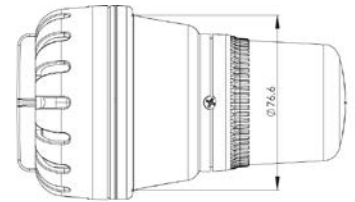
Electronic Alarm Horn with LED signal light H100BL

Comax
Signaltechnik



General information

Universal electronic alarm horn without trumpet with LED signal light for manifold uses.
Three different tones selectable.
Volume control. LED signal light in 6 different colours. Separate control of horn or LED signal light. Wide range of nominal tensions in AC and DC.
High degree of protection IP65.



Technical data

Case	ABS, shock-resistant
Colour of case	light grey
LED signal light	continuous light, 9 high power LED
Lens	PC, shock-resistant
Colours of lens/LED	red, amber, blue, green, yellow, clear
Output	5,5cd (amber LED/lens)
Degree of protection	IP65 according to EN 60529
Temperature range	-25°C to +50 °C
Duty cycle	continuous operation
Tones	buzzer alternate tone 1200/500Hz, 1Hz alternate tone 800/1000Hz, 7Hz
Connection	
- cable entry	5-7mm Ø push-through grommet
- cable installation	flush or surface mounting
- lead	terminal up to 0,5 - 1,5mm ²
Weight	approx. 0.184 kg

Order data

Item number	Rated voltage	Sound intensity level	Current consumption	Type
H100BL.024.2*	12-30VDC	approx. 100dB(A), 1m	Horn: 24mA at 24VDC LED: 80mA at 24VDC	without trumpet
H100BL.230.7*	90-260VAC	approx. 100dB(A), 1m	Horn: 10mA at 230VAC LED: 32mA at 230VAC	without trumpet

Colours of lens 1= red, 2= amber, 3= yellow, 4= green, 5= blue, 7 = clear

Subject to change without prior notice



Comax
Signaltechnik

Comax Industrielle Signaltechnik AG, Thalstrasse 279, CH-4712 Laupersdorf/Schweiz
Tel +41 32 617 31 41 E- mail@comax.ch Internet www.comax.ch