

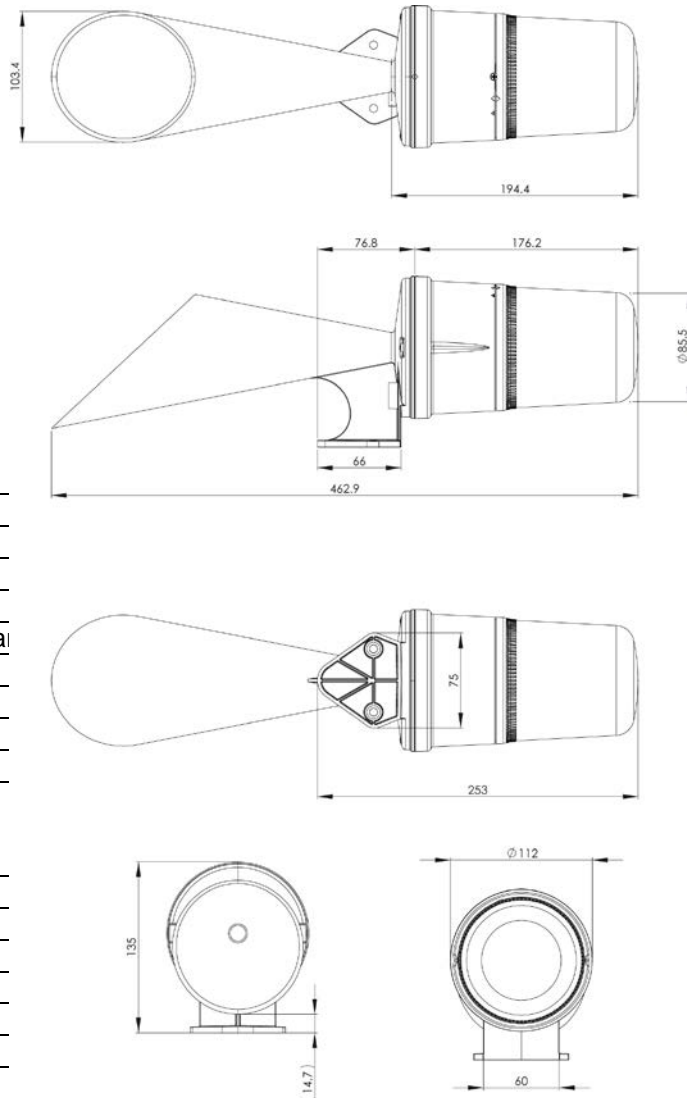
# Electronic Alarm Horn with revolving flash light H110TR

**Comax**  
Signaltechnik



## General information

Universal electronic alarm horn with trumpet and revolving flash light for manifold uses. Three different tones selectable. Volume control. Revolving flash light in 6 different colours. Separate control of horn and flash light. High degree of protection IP65.



## Technical data

Case	ABS, shock-resistant
Colour of case	light grey
Lens	PC, shock-resistant
Colours of lens	red, amber, blue, green, yellow, clear
Output	125cd (clear lens)
Degree of protection	IP65 according to EN60529
Temperature range	-25°C to +50 °C
Duty cycle	continuous operation
Revolving flash light	20/25W Halogen lamp Rotation 180rpm >5000 hours of operation
Tonalities	buzzer alternate tone 1200/500Hz, 1Hz alternate tone 800/1000Hz, 7Hz
Connection	
- cable entry	5-7mm Ø push-through grommet
- cable installation	flush or surface mounting
- lead	terminal up to 0,5 - 1,5mm <sup>2</sup>
Weight	approx. 0.678 kg

## Order data

Item number	Rated voltage	Sound intensity level	Current consumption	Tape
H110TR.012.2*	12VDC	approx. 110dB(A), 1m	Horn: 52mA Rev. Flash light: 1.72A	with trumpet 20W
H110TR.024.2*	24VDC	approx. 110dB(A), 1m	Horn: 105mA Rev. Flash light 910mA	with trumpet 20W
H110TR.115.7*	115VAC	approx. 110dB(A), 1m	Horn: 36mA Rev. Flash light 216mA	with trumpet 25W
H110TR.230.7*	230VAC	approx. 110dB(A), 1m	Horn: 18mA Rev. Flash light 117mA	with trumpet 25W

**Colours of lens** 1= red, 2= amber, 3= yellow, 4= green, 5= blue, 7= clear

Subject to change without prior notice



**Comax**  
Signaltechnik

Comax Industrielle Signaltechnik AG, Thalstrasse 279, CH-4712 Laupersdorf/Schweiz  
Tel +41 32 617 31 41 E- mail@comax.ch Internet www.comax.ch