

Electronic Sounder with Xenon Strobe Light AL100

Comax
Signaltechnik



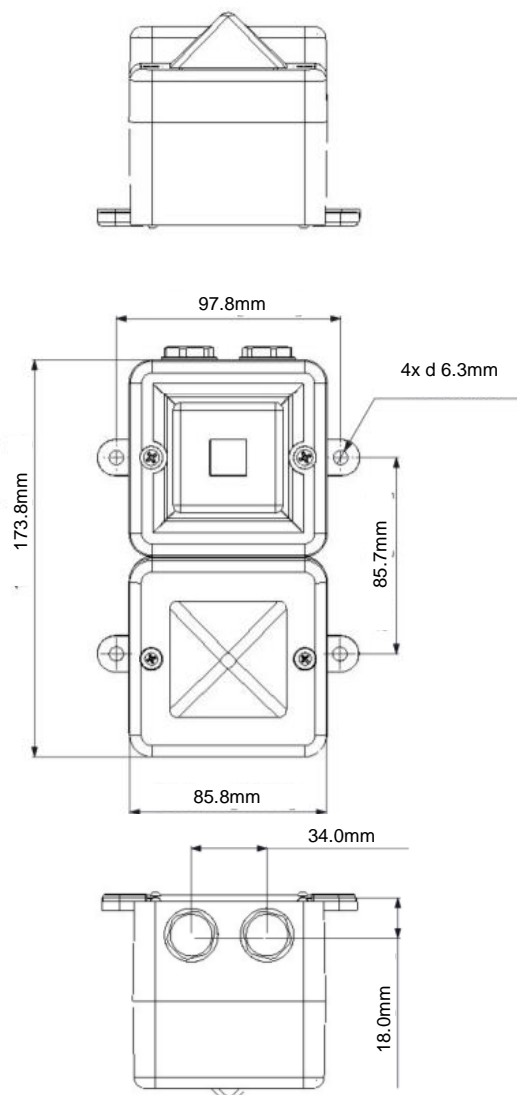
General Information

Very compact electronic sound generator with xenon flashing light. 64 different alarm tones and volume adjustable on the board. 4 tones can be controlled externally. Audible distance up to 32m. Automatic synchronisation of several units. Flashing light with 6 lens colours. Polarized diode for applications in supervised circuits. Degree of protection IP66.

Option: UL approval

Technical data

Housing	ABS, shock resistant
-colour	red (RAL3000)
Lens	PC, shock resistant
-colour	red, amber, yellow, green, blue, clear
Flash intensity	5 Joule
Light output	250cd (clear lens)
Degree of protection	IP66 acc. EN60529
Temperature	-40°C to +66°C
Operation	Continuous operation
Tones	Choice of 64 tones (see tone table)
Connection	
-cable entry	2x M20 with stopping plugs Breakout hole (bottom)
-cable feed	Surface- or flush mounted
-connection	Terminals 0.5 – 2.5 mm ²
Weight	DC: 0.460kg, AC: 0.570kg
Approval	VdS acc. EN54-3



Order data

Item number	Rated voltage	Sound level output	Current consumption Flash light / Sounder
AL100.012.2	11.5-14VDC	approx.. 102dB(A),1m	304mA / 17mA
AL100.024.7*	24-28VAC	approx.. 102dB(A),1m	300mA / 43mA
AL100.024.2*	10-30VDC	approx.. 102dB(A),1m	250mA / 34mA
AL100.048.2*	48VDC +/-10%	approx.. 102dB(A),1m	170mA / 113mA
AL100.115.7*	115VAC +/-10%	approx.. 102dB(A),1m	70mA / 25mA
AL100.230.7*	230VAC +/-10%	approx.. 102dB(A),1m	35mA / 17mA

other voltage versions on request

Lens colours

1= red, 2= amber, 3= yellow, 4= green, 5= blue, 7= clear

Subject to change without prior notice



Comax
Signaltechnik

Comax Industrielle Signaltechnik AG, Thalstrasse 279, CH-4712 Laupersdorf/Schweiz
Tel +41-(0)32-617 31 41 E-mail mail@comax.ch Internet www.comax.ch