

Electronic Sounder with Xenon Strobe Light AL105

Comax
Signaltechnik



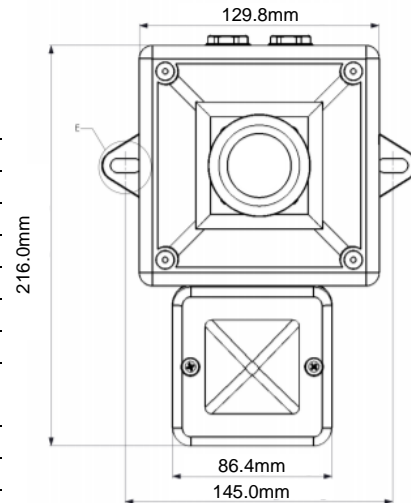
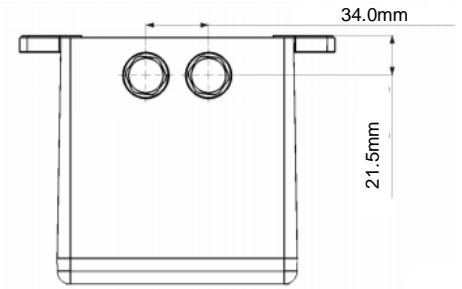
General Information

Universal electronic sound generator with xenon flashing light. 64 different alarm tones and volume adjustable on the board. 4 tones can be controlled externally. Audible distance up to 60m. Automatic synchronisation of several units. Flashing light with 6 lens colours. Polarized diode for applications in supervised circuits. Degree of protection IP66.

Option: UL approval

Technical data

Housing	ABS, shock resistant
-colour	red (RAL3000)
Lens	PC, shock resistant
-colour	red, amber, yellow, green, blue, clear
Flash intensity	5 Joule (approx. 250 cd / clear lens)
Flash frequency	1Hz (DC devices 1.5Hz u. double-flash)
Degree of protection	IP66 acc. EN60529
Temperature	-40°C to +66°C
Relative humidity	95% at 20°C
Operation	Continuous operation
Tones	Choice of 64 tones (see tone table)
Connection	
-cable entry	2x M20 with stopping plugs Breakout hole (bottom)
-cable feed	Surface- or flush mounted
-connection	Terminals 0,5 – 1,5 mm ²
Weight	DC: 0.950kg, AC: 1.200kg
Approval	VdS acc. EN54-3



Order data

Item number	Rated voltage	Sound level output	Current consumption Sounder / Flash light
AL105.024.7*	24VAC	nom, approx. 106dB(A),1m	42.5mA / 300mA
AL105.024.2*	20-28VDC	nom, approx. 106dB(A),1m	33.5mA / 250mA
AL105.048.2*	35-60VDC	nom, approx. 106dB(A),1m	113mA / 250mA
AL105.115.7*	115VAC	nom, approx. 106dB(A),1m	25mA / 70mA
AL105.230.7*	230VAC	nom, approx. 106dB(A),1m	17mA / 30mA

other voltage versions on request

Lens colours 1= red, 2= amber, 3= yellow, 4= green, 5= blue, 7= clear
Subject to change without prior notice



Comax
Signaltechnik

Comax Industrielle Signaltechnik AG, Thalstrasse 279, CH-4712 Laupersdorf/Schweiz
Tel +41-(0)32-617 31 41 E-mail mail@comax.ch Internet www.comax.ch