

ExResistTel IP4 explosion proof VoIP-Telephone

Explosion-proof, weatherproof industrial
VoIP telephone for use in potentially
explosive areas (zone 1, 2, 21 and 22)



Overview

With approved technology of FHF, the ExResistTel IP4 is suitable for all indoor and outdoor installations.

The new ExResistTel IP4 is the ideal device for every weather and a number of different operation sites, including exposure to seawater, high humidity or extensive mechanical strain. The housing is made of impact and shock-resistant glass-fibre reinforced polyester, it is resistant to acids, alkalis or lubricants.

Its robust design represents a perfect packaging for the latest requirements for IP telephones in hazardous environments with proven reliability for critical mission communications and high safety applications.

This telephone is designed to provide ultimate user comfort with a user-friendly menu structure and easy installation. The ExResistTel IP4 meets industrial standards and has decades of marketing leading expertise. It features a luminous display that is able to function in ultra low temperatures mode of expression, a connectable headset is available as an accessory and a hands-free operation.

Features

- Protection class IP66 according to IEC60529
- Ambient temperature
-40 °C to +60 °C
with armoured cord
-30 °C to +60 °C with spiral cord
- Ring tone ≥ 95 dB(A) in 1 m distance
- Pixel-based luminous OLED display
- V4A alphanumeric keypad
- User-friendly menu structure
- VoIP Protocols: SIP, H.323 (UDP, TCP, TLS), RTP, SRTP (SDES, DTLS), RTCP, ICE
- Power supply: PoE or external
- Connection to 10/100-BASE-T Ethernet
- Hands-free operation
- Two built-in independent relay contacts



Comax Industrielle Signaltechnik AG Thalstrasse 279 CH-4712 Laupersdorf
Tel +41 (0)32 617 31 41 mail@comax.ch www.comax.ch

Certifications

Protection type	II 2G Ex eb ib mb [ib Gb] IICT4 Gb
	II 2D Ex ib tb [ib Db] IIIC T130°C Db
Approval	PTB 12 ATEX 2025 X / IECEx PTB 13.0007X

Technical feature

Power supply	Power over Ethernet according to IEEE 802.3af/at (Mode B) or 802.3bt 44V min, 57V max		
Voltage external power	22,8 VDC - 52,8 VDC		
Power consumption	4 W (POE class 0)		
Connection	Port (10/100 Mbit/s)		
Ringing volume	≥ 95 dB(A) in 1 m distance		
Housing			
Material	Glass fibre-reinforced polyester		
Height x width x depth	293 x 227 x 135 mm		
Weight (standard model)	Approx. 5,000 g		
Display	182 x 64 pixels (OLED)		
Operating position	vertical		
Relay switching capacity	250 VAC	5 A	100 VA
	30 VDC	5 A	100 Watt
	230 VDC	0.5 A	100 Watt
	50 VDC	1 A	50 Watt

Handset

Mouthpiece	Electret microphone
Earpiece	Dynamic capsule with magnetic field generator for inductive coupling of hearing aids
Stabilization bracket	Standard equipment

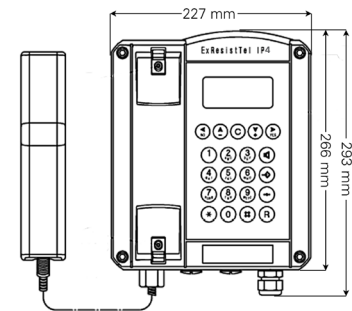
Environmental conditions

Ambient temperature	-40°C to +60 °C for devices with steel armoured cord -30 °C to +60 °C for devices with polyurethane spiral
Protection class	cord IP 66 according to IEC 60529
Impact resistance	IK 09 according to EN IEC 62262:2002

Characteristics

Protocols	VoIP Protocols: SIP, H.323 (UDP, TCP, TLS), RTP, SRTP (SDS, DTL), RTCP, ICE
DTMF	In-Band, Out-Of-Band, Event
Additional VoIP features	H.245 fast connect enblock dialing overlapped sending
Security	Encoded password authentication according to H.235 802.1X
Quality of service	Prioritization of IP packages over TOS and DiffServ, VLAN priority according to IEEE 802.1p/802.1q
Voice codecs	G.711 A-law/μ-law, G.729A, G.722, OPUS (NB/WB)
Administration	Access using https, Password-protected with secure authentication
Diagnostic tools	Log and trace files (pcap), status displays of interfaces and connections Ping connection test, sending of SNMP traps
Updates	Configuration recording/reading Boot code and firmware update via Webinterface Automatic update via update server
DSL access	PPPoE protocol
VPN	PPP over PPPoE/PPTP
DHCP	Client with private option codes, server mode
Call tone generation	Automatic call tone generation according to European and US standard
Multiple registration	Up to 6 registrations
Telephone book	internal, centralized (optional), integration of external data bases via LDAP
Time	From NTP

General arrangement (all dimensions in mm)



Ordering requirements

Type	Designation	Model	Article number
ExResistTel IP4	VoIP telephone	black with armoured cord	FHF 114 422 220
ExResistTel IP4	VoIP telephone	red with armoured cord	FHF 114 422 222
ExResistTel IP4	VoIP telephone	black with spiral cord	FHF 114 422 210
Accessories			
	Ex headset		FHF 112 861 04
	Ex II secondary sounder		FHF 211 842 06
	Telephone hood model 404	galvanized steel, yellow	FHF 118 901 01
	Telephone hood model 404	V4A stainless steel	FHF 118 901 11
	Telephone hood model 404	synthetic material, orange	FHF 118 901 12
	Telephone hood model 404	synthetic material, yellow	FHF 118 901 13
	Telephone hood model 404	galvanized steel, red	FHF 118 901 14
	Telephone hood model 404	synthetic material, red	FHF 118 901 15
	Telephone hood model 404	GRP, yellow	FHF 118 901 22
	Telephone hood model 404	GRP, orange	FHF 118 901 23
	Console for model	Yellow	FHF 118 901 03
	TWIN-EEExII		FHF 118 833 ..*

transparent	11
red	12
amber	13
green	14
blue	15

* The full article number for the TWIN EEExII is made up by appending the colour code to the article numbers given beside.

Accessories

Ex headset



TWIN-EEExII



Protection hood

