



E91099

Square Halogen Worklamp

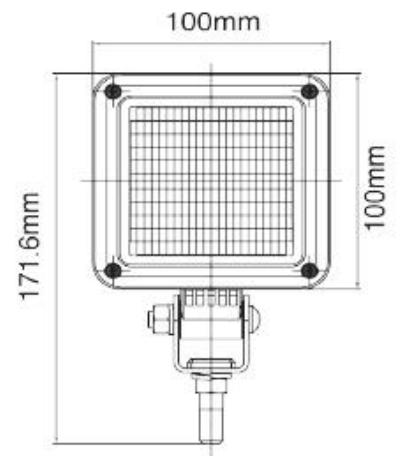
The E91099 is a compact square worklamp which makes this worklamp the ideal choice for a wide variety of applications. Features 12/24V operation.

Models

PART NO.	VOLTAGE	AMPS	TYPE
E91099	12/24V	5.2	Flood

Features and Benefits

- H3 halogen bulb - 55w
- 12" wire connection
- Compact worklamp
- Reinforced nylon housing
- Toughened glass lens



Beam Pattern

