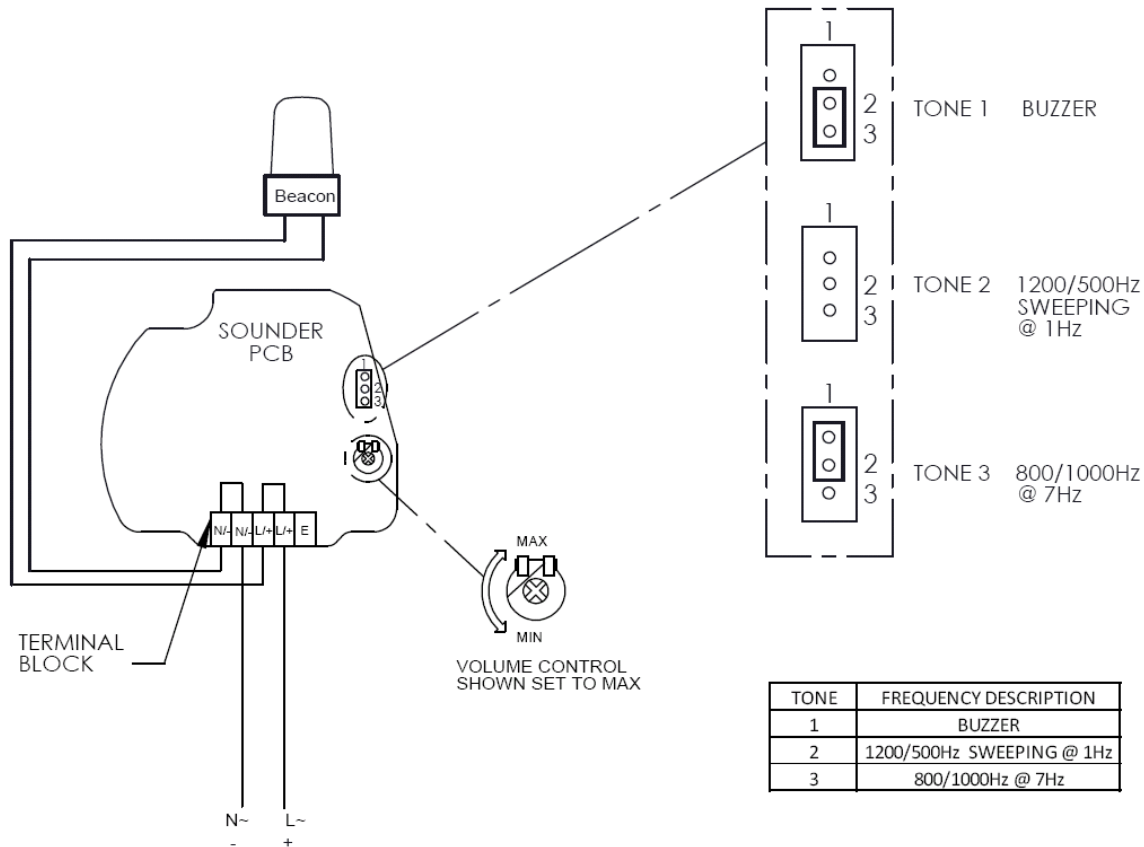


Installation/Anschluss
 Installation/Raccordement
 Installation/Connection

Installationsanleitung_H100TX_REV0_26_02_2013.pdf

H100TX



Dimensions : $\varnothing 85 \times 241.2\text{mm}$
 1.5mm² terminals
 Cable entry: 1 x 5-7mm push through grommet

x = Lens colour
 R = Red A = Amber
 B = Blue C = Clear
 G = Green Y = Yellow

Trumpet Horn Xenon Strobe
 IP Rating: IP65
 Temp: -25 °C to +50 °C
 Unit weight: 219g
 CE

- 24V dc 10mA
- 24V ac 50Hz 24mA
- Beacon Current Consumption
- 24V dc 135mA
- 24V ac 50Hz 75mA

- 115V ac 50/60Hz 19mA
- Beacon Current Consumption
- 115V ac 50/60Hz 30mA
-

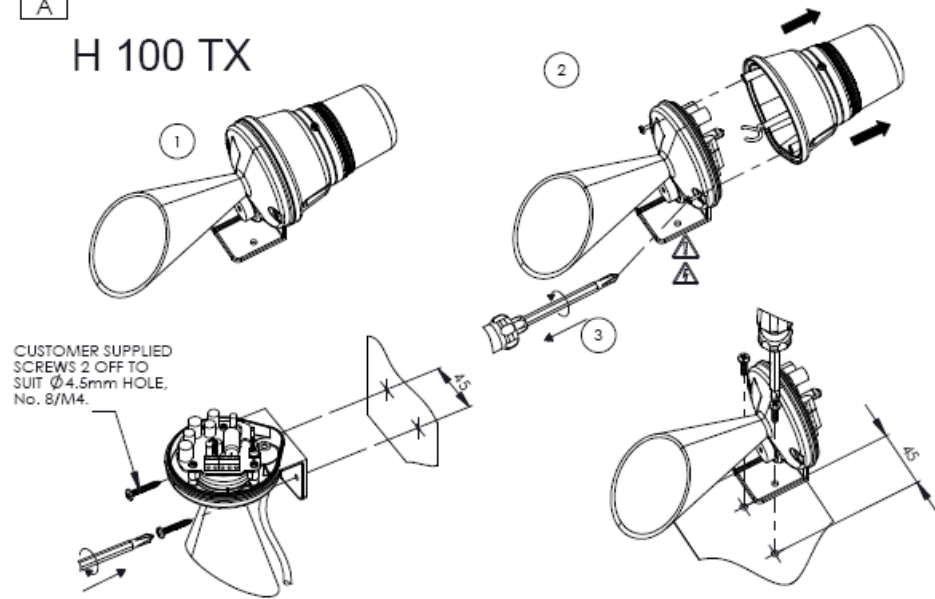
- 230V ac 50/60Hz 10mA
- Beacon Current Consumption
- 230V ac 50/60Hz 20mA



Lebensgefahr durch elektrischen Strom! Dieses Gerät darf nur durch autorisierte Elektrofachkräfte und elektrotechnisch unterwiesene Personen montiert und angeschlossen werden.
Electric current! Danger to life! Only authorized or instructed persons may assemble and install this device.
Tension électrique dangereuse! Seuls les personnes averties sont autorisées d'assembler et d'installer ces produits.

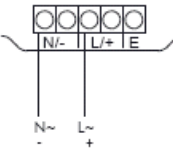
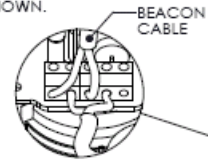
A

H 100 TX



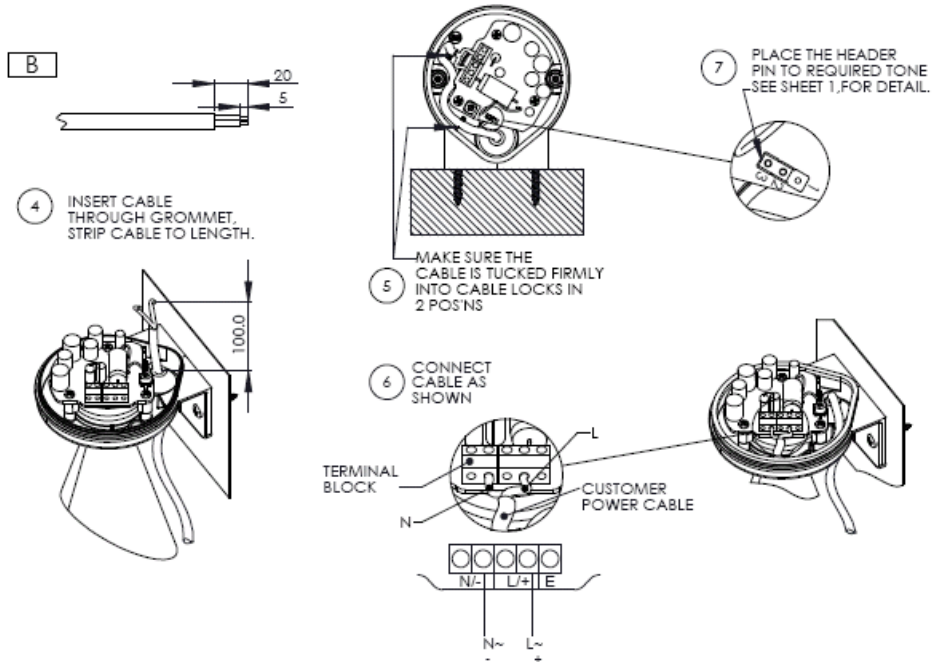
C

8 CONNECT THE BEACON CABLES TO TERMINAL AS SHOWN.



TERMINAL BLOCK	A/C INPUT	D/C INPUT
N/-	N~	-
N/-	N~(FROM BEACON)	-(FROM BEACON)
L/+	L~	+
L/+	L~(FROM BEACON)	+(FROM BEACON)
E		

B



Dimensions in mm

D

