

Installation/Anschluss Installation/Raccordement Installation/Connection

H100TL

Installationsanleitung_H100TL_REV0_26_02_2013.pdf

A

H100 TL

Trumpet Horn LED Array
IP Rating: IP65
Temp: -25 °C to +50 °C
Unit weight: 215g
CE

Order code Voltage
H100TL030G/x 10-30V DC
• 12V dc 10mA
• 24V dc 24mA

• Beacon Current Consumption
• 12V dc 74mA
• 24V dc 80mA

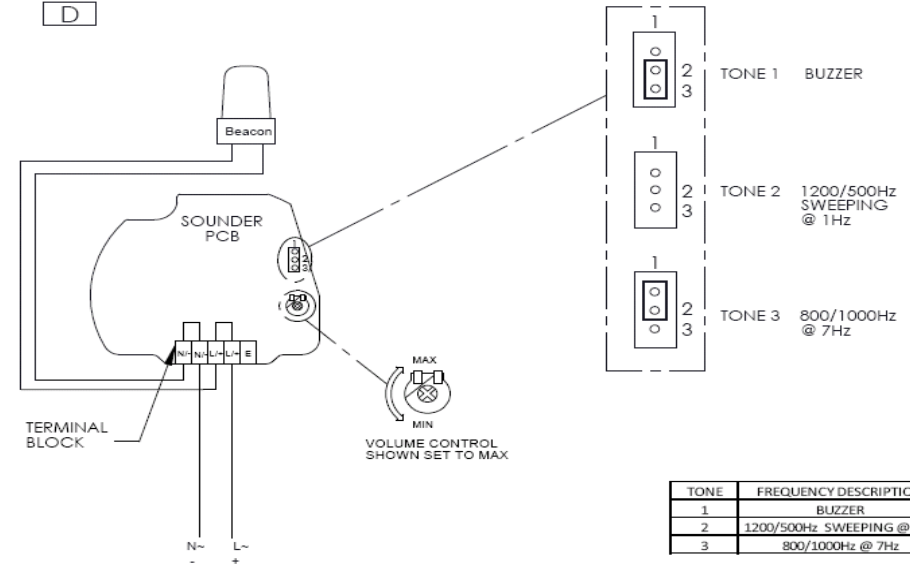
H100TL230G/x 90-260V AC
• 115V ac 50/60Hz 19mA
• 230V ac 50/60Hz 10mA

• Beacon Current Consumption
• 115V ac 50/60Hz 119mA
• 230V ac 50/60Hz 32mA

Dimensions : $\varnothing 85 \times 241.2\text{mm}$
1.5mm² terminals
Cable entry: 1 x 5-7mm push
through grommet

x = Lens colour
R = Red A = Amber
B = Blue C = Clear
G = Green Y = Yellow

D



B

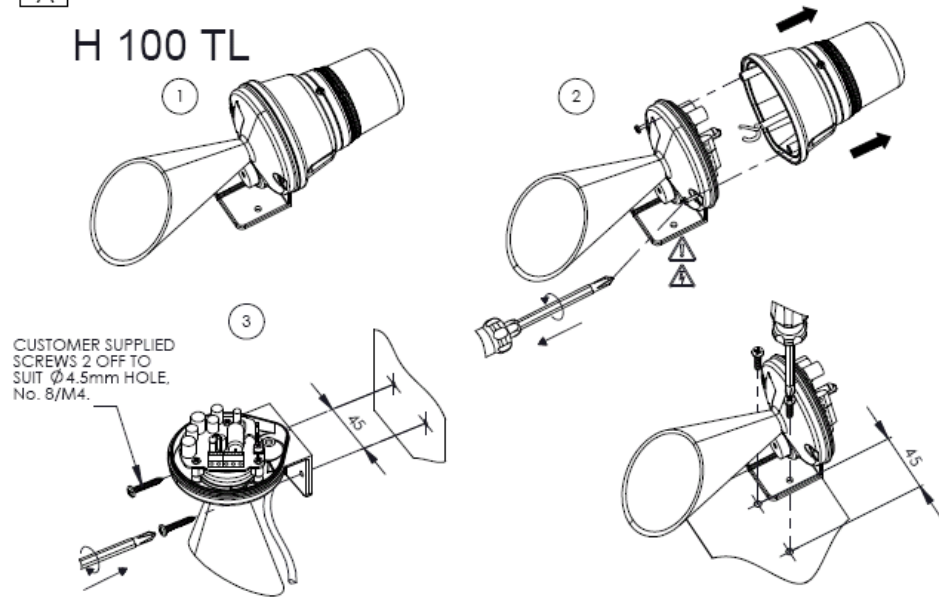
- ⚠ ATTENTION:** Installation must be carried out by an electrician in compliance with the latest codes and regulations.
- ⚠ ATTENTION:** Disconnect from power source before installation or service to prevent electric shock.
- ⚠ ATTENTION:** On strobe beacons allow a minimum of 2 minutes for hazardous high voltage to discharge from unit.
- ⚠ ATTENTION:** Lens on unit will be hot allow to cool prior to removal.



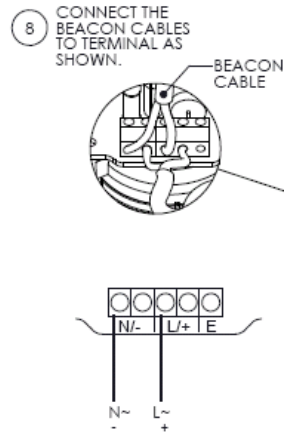
Lebensgefahr durch elektrischen Strom! Dieses Gerät darf nur durch autorisierte Elektrofachkräfte und elektrotechnisch unterwiesene Personen montiert und angeschlossen werden.
Electric current! Danger to life! Only authorized or instructed persons may assemble and install this device.
Tension électrique dangereuse! Seuls les personnes averties sont autorisées d'assembler et d'installer ces produits.

A

H 100 TL

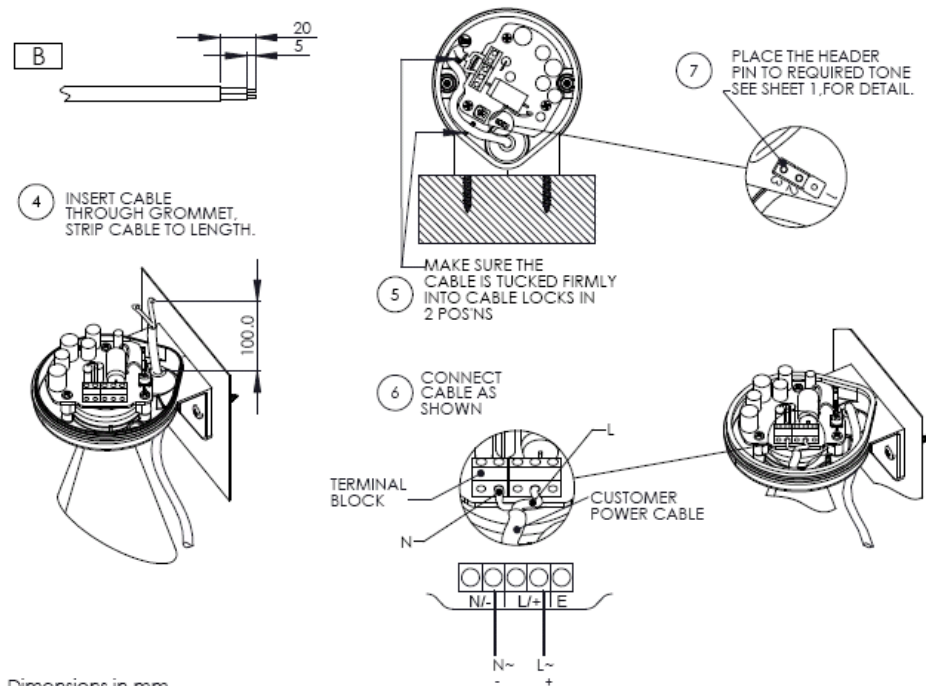


C

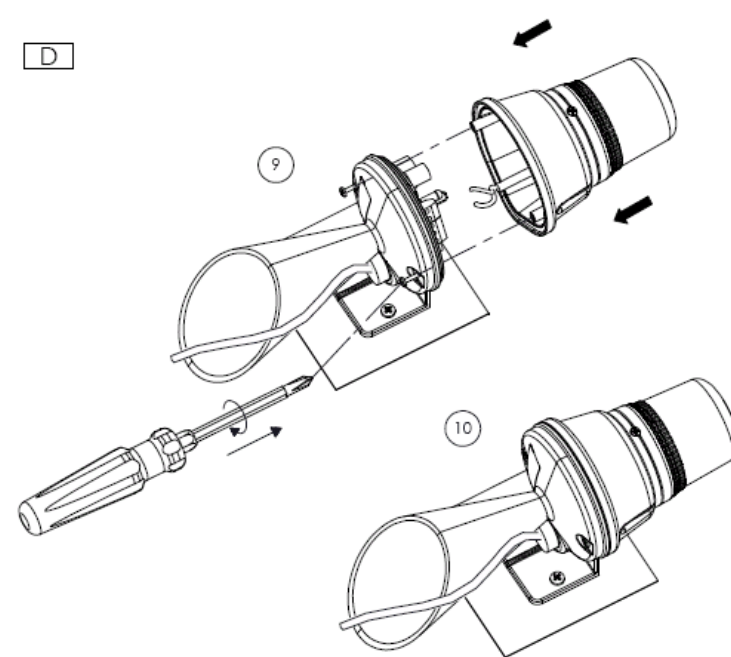


TERMINAL BLOCK	A/C INPUT	D/C INPUT
N/-	N~	-
N/-	N~(FROM BEACON)	-(FROM BEACON)
L/+	L~	+
L/+	L~(FROM BEACON)	+(FROM BEACON)
E		

B



D



Dimensions in mm