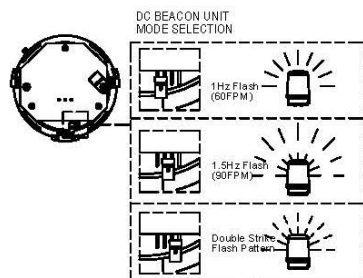
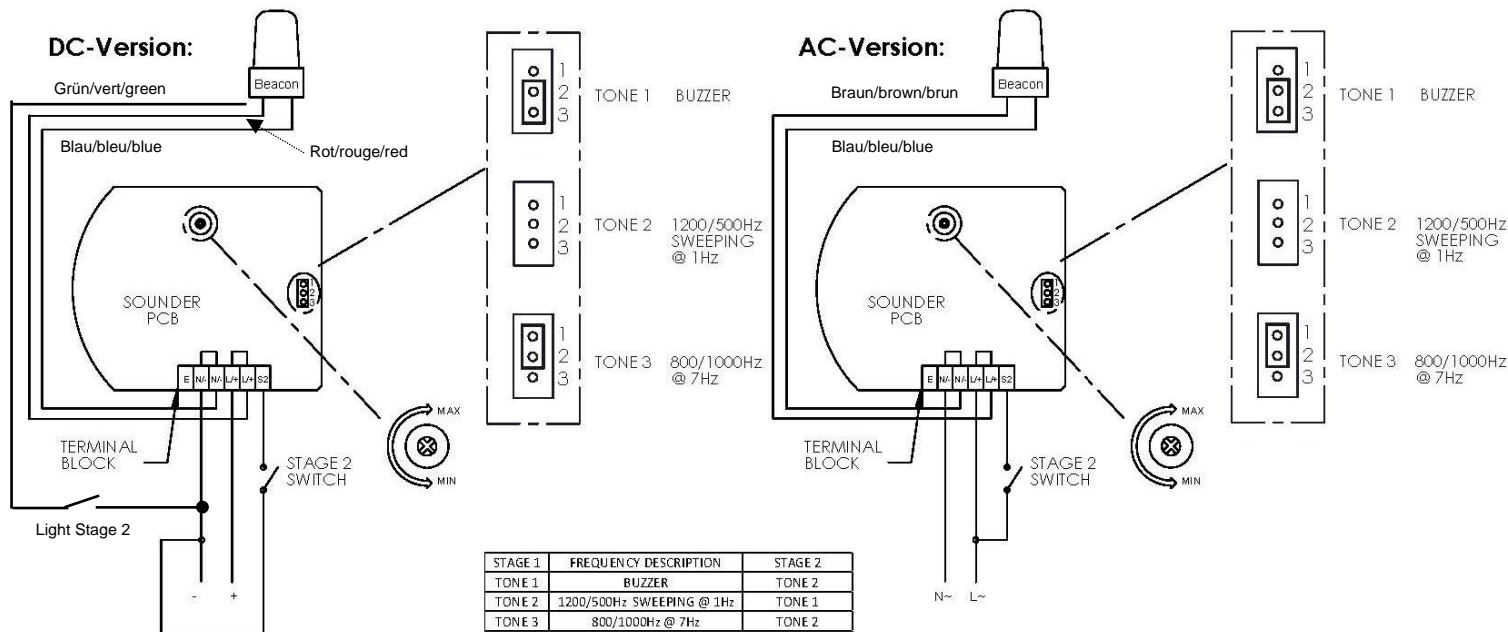


Installation/Anschluss  
 Installation/Raccordement  
 Installation/Connection

# H110TX

Installationsanleitung\_H110TX\_REV3\_03\_06\_2020.pdf



Jumper auf der Unterseite der Platine der Leuchte.  
 Cavalier sur le bas du circuit imprimé de la lampe.  
 Jumper on the bottom of the circuit board of the light.

Light Stage 2 (DC Version):

Double Strike
Double Strike
Double Strike

Trumpet Horn Xenon Strobe  
 IP Rating: IP65  
 Temp: -25 °C to +50 °C  
 Unit weight: 638g  
 CE

- 12V dc 52mA
- 12V ac 50Hz 115mA
- Beacon Current Consumption
- 12V dc 500mA
- 12V ac 50Hz 600mA
- 24V dc 105mA
- 24V ac 50Hz 215mA
- Beacon Current Consumption
- 24V dc 250mA
- 24V ac 50Hz 300mA
- 48V dc 42mA
- 48V ac 50Hz 68mA
- Beacon Current Consumption
- 48V dc 175mA
- 48V ac 50Hz 250mA
- 115V ac 50/60Hz 36mA
- Beacon Current Consumption
- 115V ac 50/60Hz 70mA
- 230V ac 50/60Hz 18mA
- Beacon Current Consumption
- 230V ac 50/60Hz 35mA

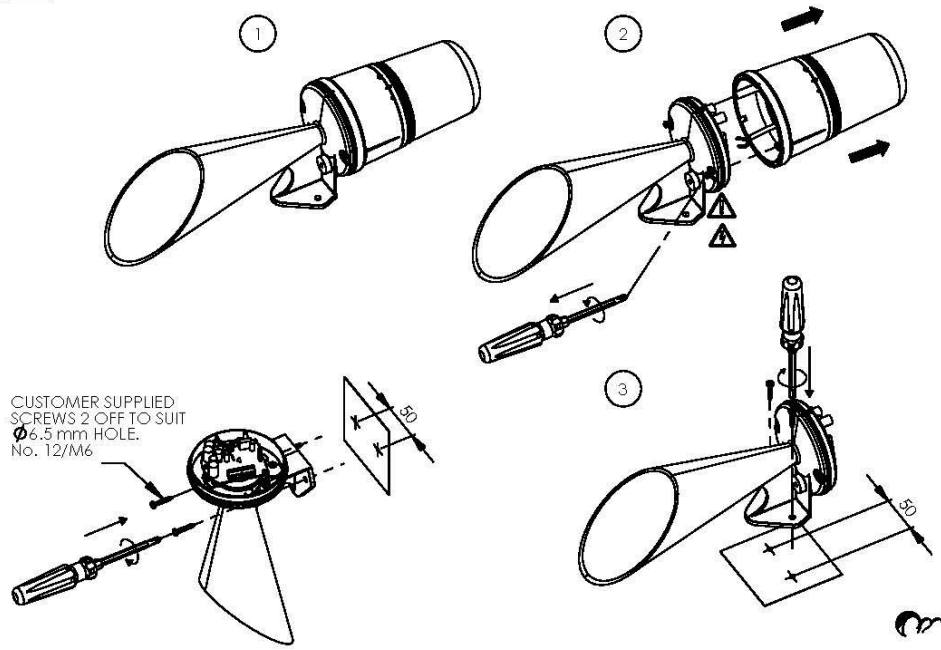
Dimensions : 135 x 462.9mm  
 1.5mm<sup>2</sup> terminals  
 Cable entry: 1 x 5-7mm push through grommet

x = Lens colour  
 R = Red A = Amber  
 B = Blue C = Clear  
 G = Green Y = Yellow

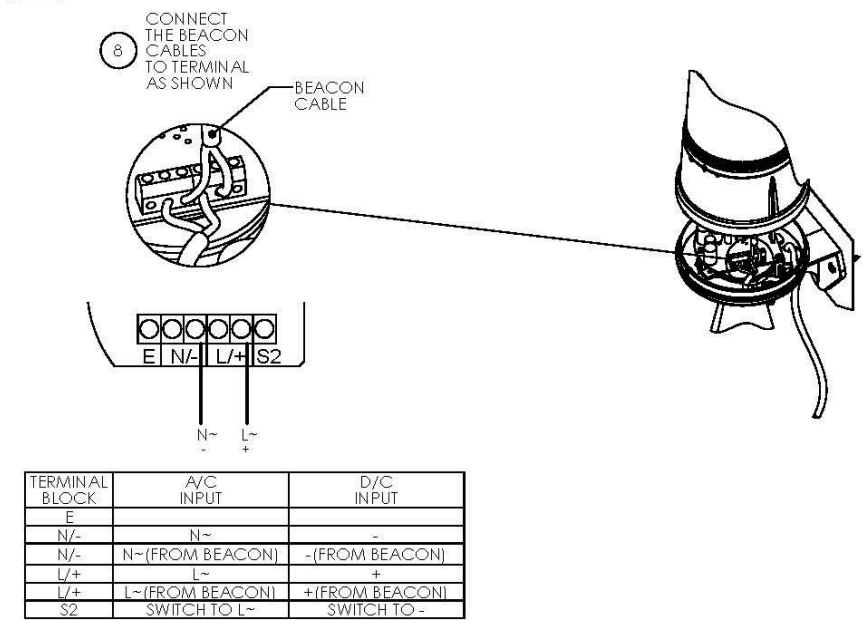


**Lebensgefahr durch elektrischen Strom!** Dieses Gerät darf nur durch autorisierte Elektrofachkräfte und elektrotechnisch unterwiesene Personen montiert und angeschlossen werden.  
**Electric current! Danger to life!** Only authorized or instructed persons may assemble and install this device.  
**Tension électrique dangereuse!** Seuls les personnes averties sont autorisées d'assembler et d'installer ces produits.

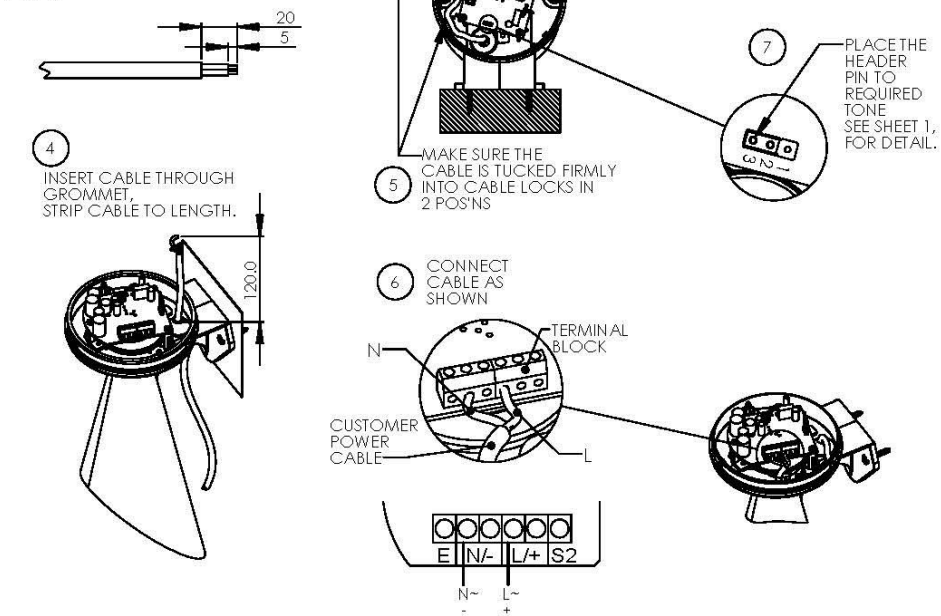
A



C



B



D

